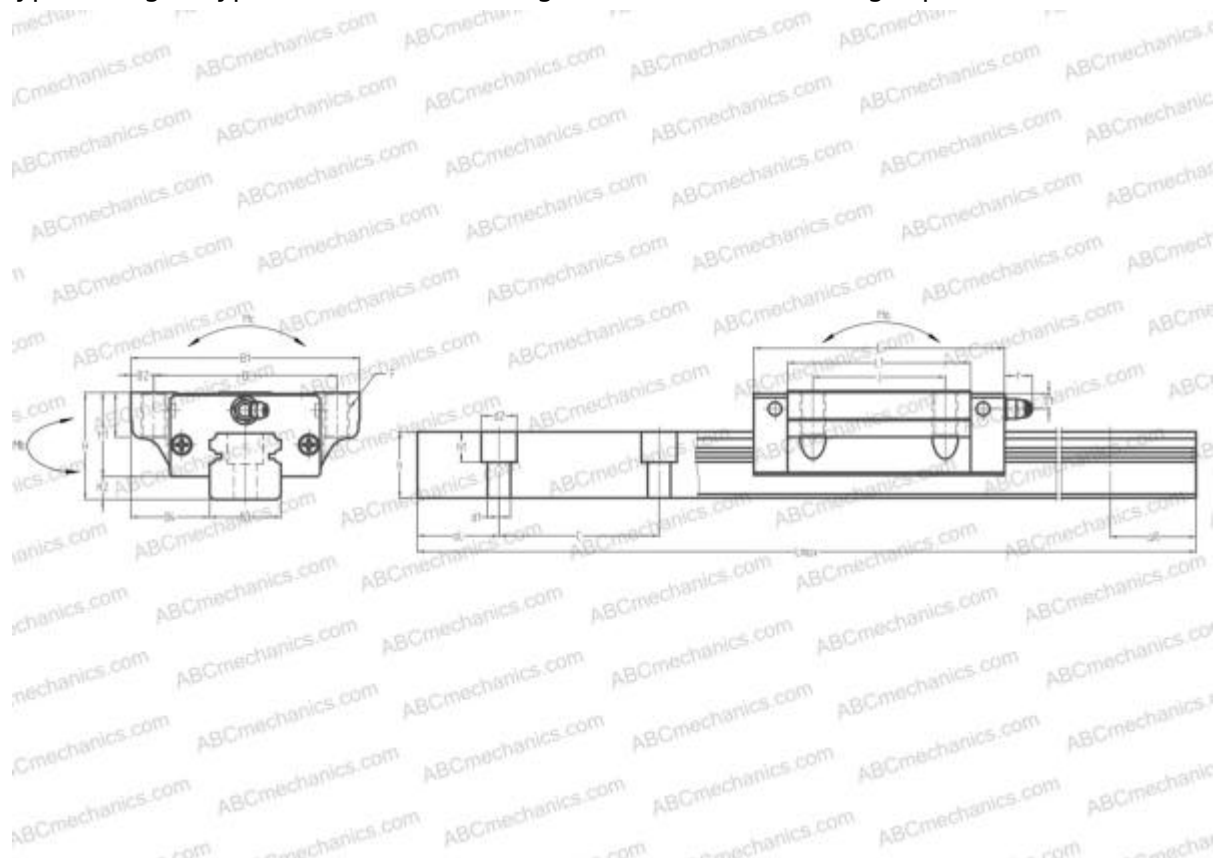


## 1651-2 STAR

Linear guides

TYPE: Monorail guidance systems, Recirculating balls, High vertical load carrying capacity type, Self-aligning type, Flanged type, Low, Ball slide length - standard, Mounting tap



### Technical specification

#### DIMENSIONS, MM

B1	70,000
H	36,000
L	79,000
B	57,000
J	45,000
L1	58,000
B2	6,500
B3	23,000
B4	23,500
H1	29,000
H2	7,000
T	11,000
T1	6,000
f	11,000
C	60,000

#### DIMENSIONS, MM

d1	7,000
d2	11,000
h	22,000
h1	9,000
L max	3960,000
aL	20,000
aR	20,000
F	M8x1.25x16

#### WEIGHT

Slide weight	0,630
Rail weight	3,600

#### MANUFACTURER

[STAR](#)

#### INTERCHANGE

ABC	<a href="#">LH25EL</a>
NSK	<a href="#">LH25EL</a>

**INTERCHANGE**

THK	<a href="#">HSR25A</a>
IKO	<a href="#">LWHT25..B</a>
HIWIN	<a href="#">HGW25CA</a>
Rockford Linear Motion	<a href="#">RPG25HA</a>
INA	<a href="#">KUV25-B</a>
NB	<a href="#">SGL25HTE</a>
SCHNEEBERGER	<a href="#">BMA 25</a>