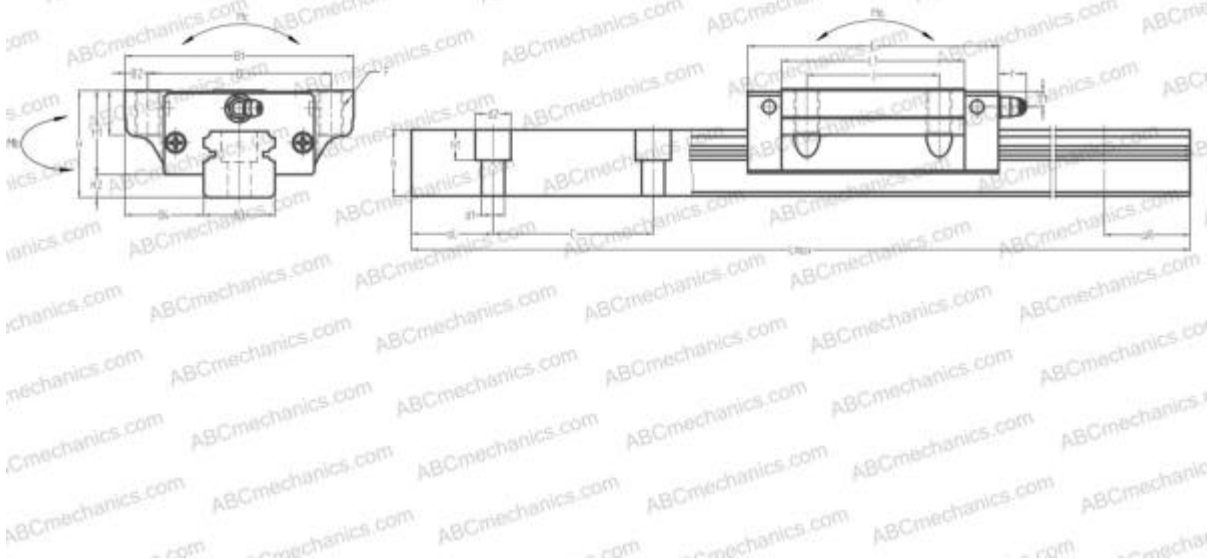


RPG30HA Rockford Linear Motion

Linear guides

TYPE: Monorail guidance systems, Recirculating balls, High vertical load carrying capacity type, Self-aligning type, Flanged type, Low, Ball slide length - standard, Mounting tap



Technical specification

DIMENSIONS, MM

B1	90,000
H	42,000
L	98,600
B	72,000
J	52,000
L1	72,000
B2	9,000
B3	28,000
B4	31,000
H1	33,000
H2	9,000
T	11,000
T1	7,000
f	11,000
C	80,000

DIMENSIONS, MM

d1	9,000
d2	14,000
h	26,000
h1	12,000
L max	4000,000
aL	20,000
aR	20,000
F	M10x1.5x18

WEIGHT

Slide weight	1,200
Rail weight	5,200

MANUFACTURER

[Rockford Linear Motion](#)

INTERCHANGE

ABC	LH30EL
NSK	LH30EL

INTERCHANGE

THK	HSR30A
IKO	LWHT30..B
HIWIN	HGW30CA
STAR	1651-7
INA	KUVE30-B
NB	SGL30HTE
SCHNEEBERGER	BMA 30