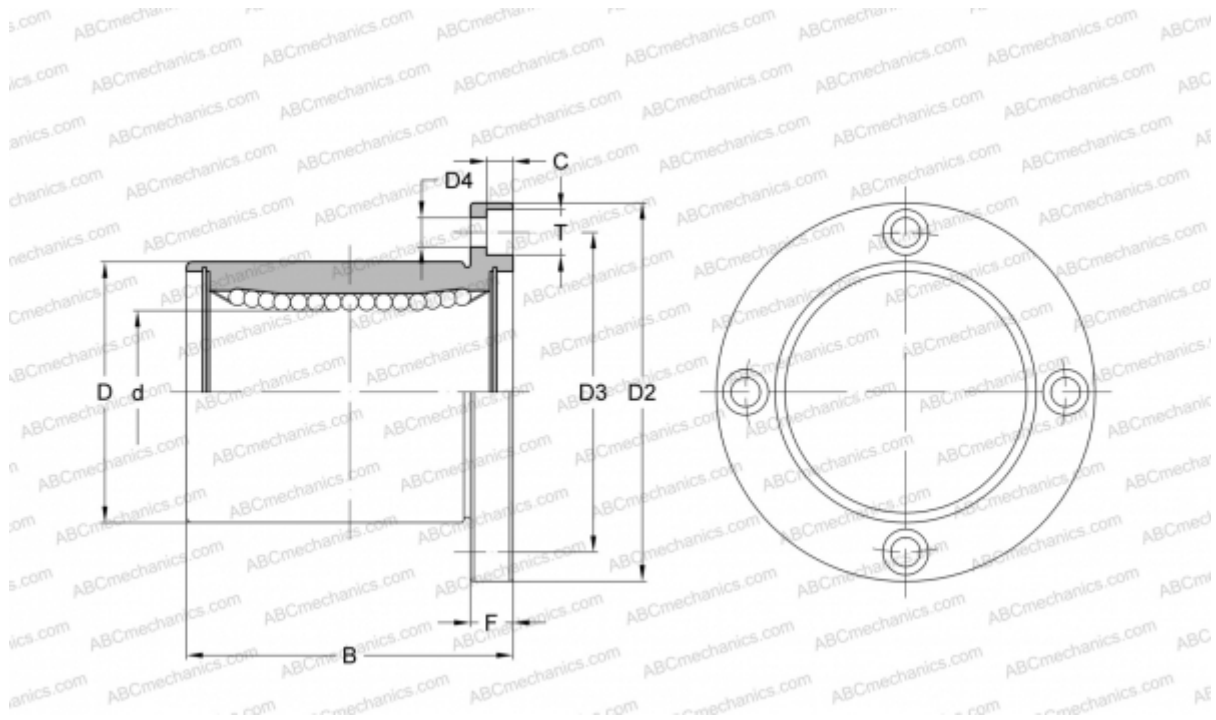


SMF 60 NB

Linear bushing

TYPE: Shaft guidance systems, Linear bushing, With flange, Circular type, Type SMF, Asian standard, Steel cage (NB)



Technical specification

DIMENSIONS, MM

d	60,000
D	90,000
B	110,000
D2	134,000
D3	112,000
D4	11,000
T	17,000
C	11,100
F	18

WEIGHT, KG 3,000

MANUFACTURER [NB](#)