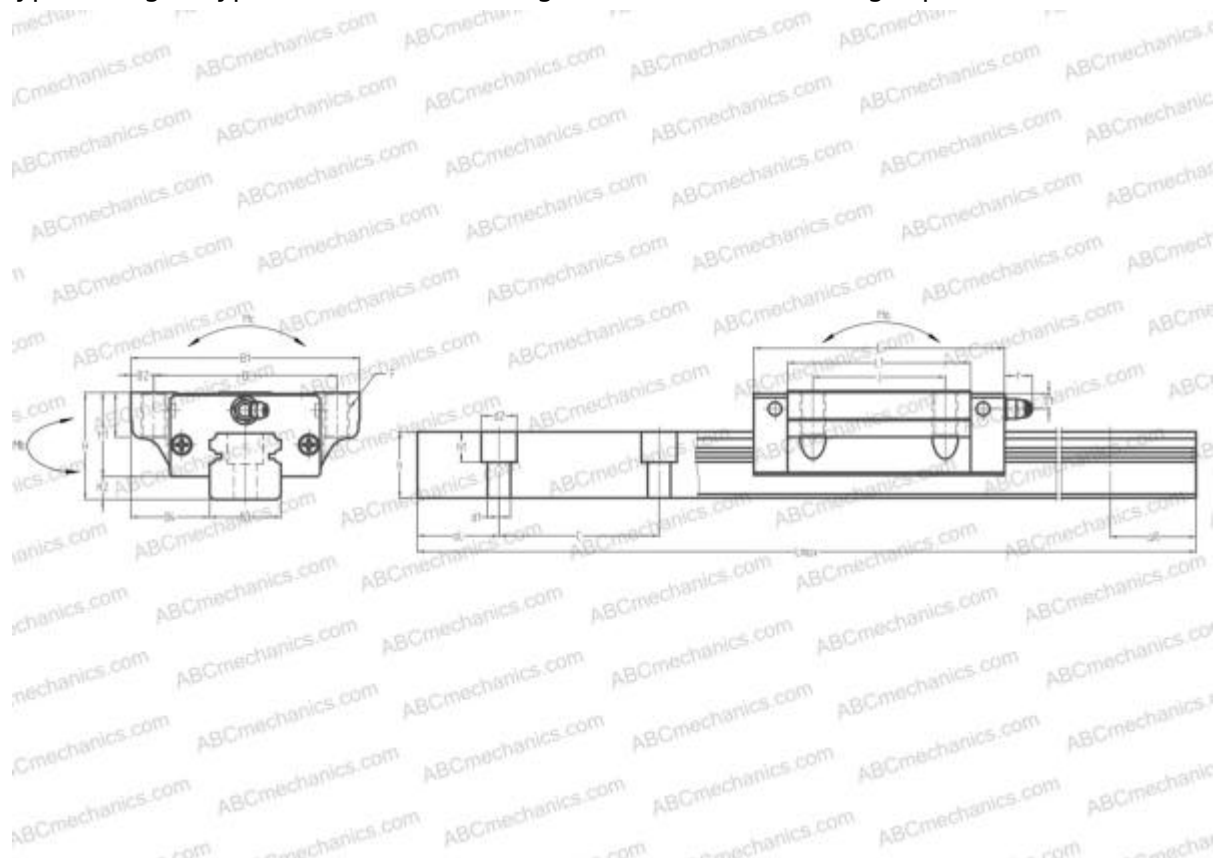


HGW35CA HIWIN

Linear guides

TYPE: Monorail guidance systems, Recirculating balls, High vertical load carrying capacity type, Self-aligning type, Flanged type, Low, Ball slide length - standard, Mounting tap



Technical specification

DIMENSIONS, MM

B1	100,000
H	48,000
L	109,000
B	82,000
J	62,000
L1	80,000
B2	9,000
B3	34,000
B4	33,000
H1	38,500
H2	9,500
T	12,000
T1	8,000
f	11,000
C	80,000

DIMENSIONS, MM

d1	9,000
d2	14,000
h	29,000
h1	12,000
L max	4000,000
aL	20,000
aR	20,000
F	M10x1.5x20

WEIGHT

Slide weight	1,700
Rail weight	7,200

MANUFACTURER

[HIWIN](#)

INTERCHANGE

ABC	LH35EL
NSK	LH35EL

INTERCHANGE

THK	HSR35A
IKO	LWHT35..B
STAR	1651-3
Rockford Linear Motion	RPG35HA
INA	KUV35-B
NB	SGL35HTE
SCHNEEBERGER	BMA 35