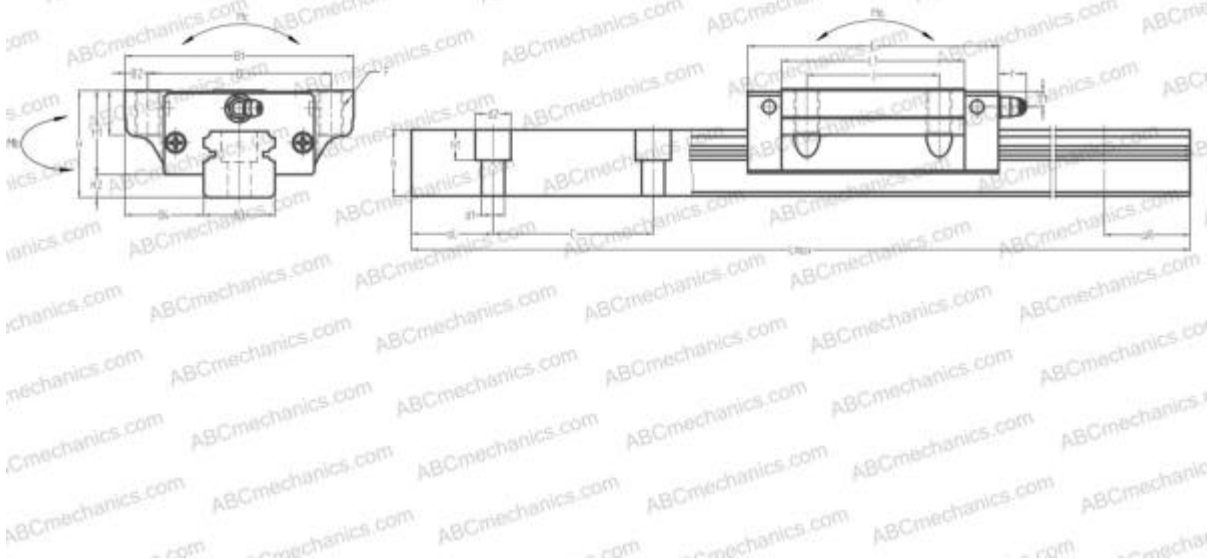


## RPG35HA Rockford Linear Motion

Linear guides

TYPE: Monorail guidance systems, Recirculating balls, High vertical load carrying capacity type, Self-aligning type, Flanged type, Low, Ball slide length - standard, Mounting tap



### Technical specification

#### DIMENSIONS, MM

B1	100,000
H	48,000
L	109,000
B	82,000
J	62,000
L1	80,000
B2	9,000
B3	34,000
B4	33,000
H1	38,500
H2	9,500
T	12,000
T1	8,000
f	11,000
C	80,000

#### DIMENSIONS, MM

d1	9,000
d2	14,000
h	29,000
h1	12,000
L max	4000,000
aL	20,000
aR	20,000
F	M10x1.5x20

#### WEIGHT

Slide weight	1,700
Rail weight	7,200

#### MANUFACTURER

[Rockford Linear Motion](#)

#### INTERCHANGE

ABC	<a href="#">LH35EL</a>
NSK	<a href="#">LH35EL</a>

**INTERCHANGE**

THK	<a href="#">HSR35A</a>
IKO	<a href="#">LWHT35..B</a>
HIWIN	<a href="#">HGW35CA</a>
STAR	<a href="#">1651-3</a>
INA	<a href="#">KUVE35-B</a>
NB	<a href="#">SGL35HTE</a>
SCHNEEBERGER	<a href="#">BMA 35</a>