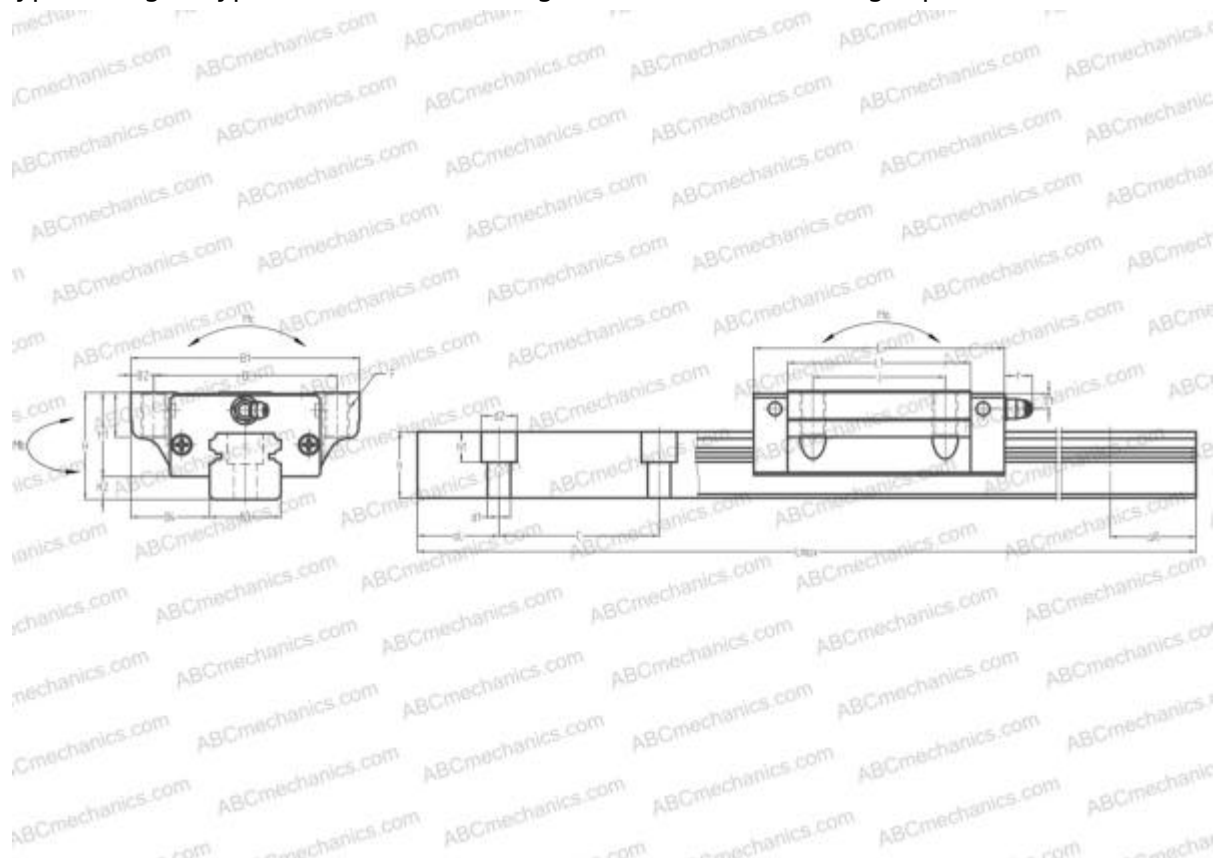


## HSR45A THK

Linear guides

TYPE: Monorail guidance systems, Recirculating balls, High vertical load carrying capacity type, Self-aligning type, Flanged type, Low, Ball slide length - standard, Mounting tap



### Technical specification

#### DIMENSIONS, MM

B1	120,000
H	60,000
L	139,000
B	100,000
J	80,000
L1	105,000
B2	10,000
B3	45,000
B4	37,500
H1	46,000
H2	14,000
T	13,000
T1	10,000
f	13,000
C	105,000

#### DIMENSIONS, MM

d1	14,000
d2	20,000
h	38,000
h1	17,000
L max	3990,000
aL	22,500
aR	22,500
F	M12x1.75x24

#### WEIGHT

Slide weight	3,000
Rail weight	12,300

#### MANUFACTURER

[THK](#)

#### INTERCHANGE

ABC	<a href="#">LH45EL</a>
NSK	<a href="#">LH45EL</a>

**INTERCHANGE**

IKO	<a href="#">LWHT45..B</a>
HIWIN	<a href="#">HGW45CA</a>
STAR	<a href="#">1651-4</a>
Rockford Linear Motion	<a href="#">RPG45HA</a>
INA	<a href="#">KUV45-B</a>
NB	<a href="#">SGL45HTE</a>
SCHNEEBERGER	<a href="#">BMA 45</a>