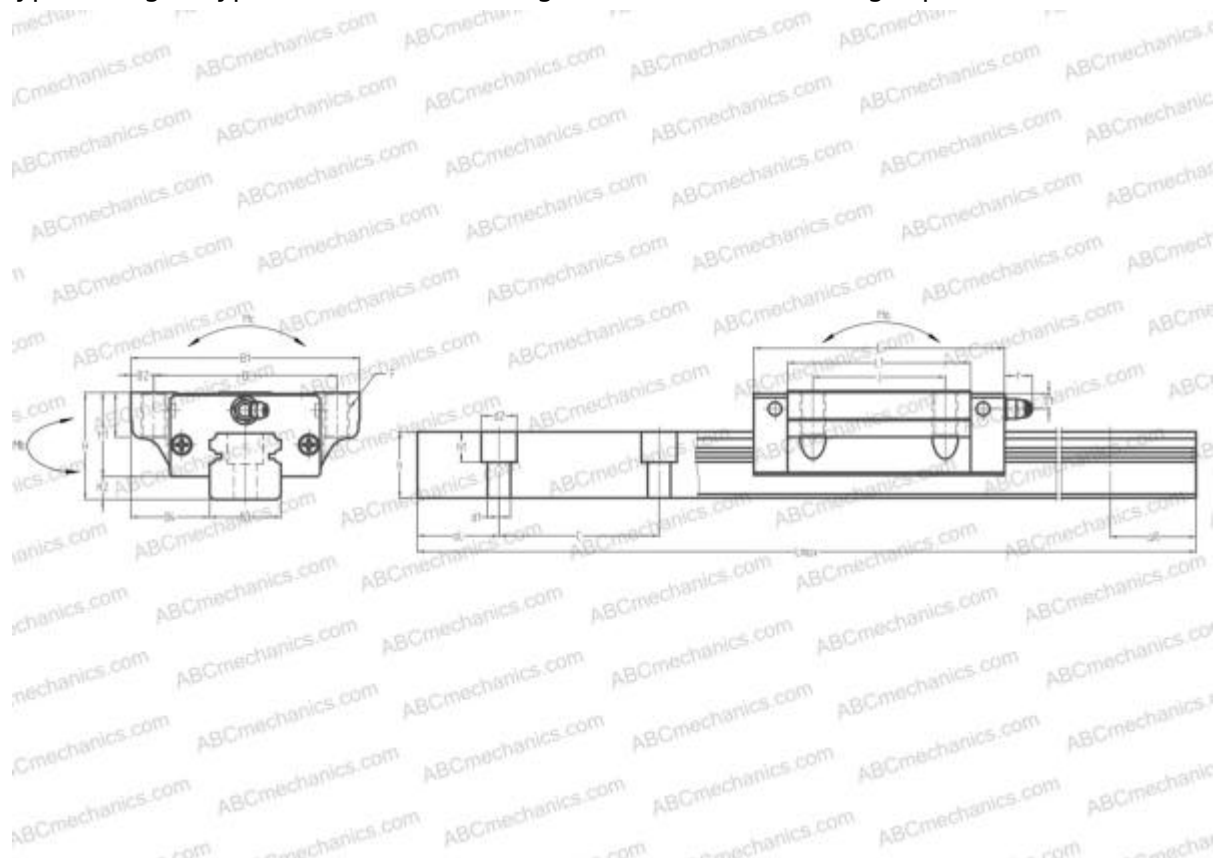


1651-4 STAR

Linear guides

TYPE: Monorail guidance systems, Recirculating balls, High vertical load carrying capacity type, Self-aligning type, Flanged type, Low, Ball slide length - standard, Mounting tap



Technical specification

DIMENSIONS, MM

B1	120,000
H	60,000
L	139,000
B	100,000
J	80,000
L1	105,000
B2	10,000
B3	45,000
B4	37,500
H1	46,000
H2	14,000
T	13,000
T1	10,000
f	13,000
C	105,000

DIMENSIONS, MM

d1	14,000
d2	20,000
h	38,000
h1	17,000
L max	3990,000
aL	22,500
aR	22,500
F	M12x1.75x24

WEIGHT

Slide weight	3,000
Rail weight	12,300

MANUFACTURER

[STAR](#)

INTERCHANGE

ABC	LH45EL
NSK	LH45EL

INTERCHANGE

THK	HSR45A
IKO	LWHT45..B
HIWIN	HGW45CA
Rockford Linear Motion	RPG45HA
INA	KUV45-B
NB	SGL45HTE
SCHNEEBERGER	BMA 45