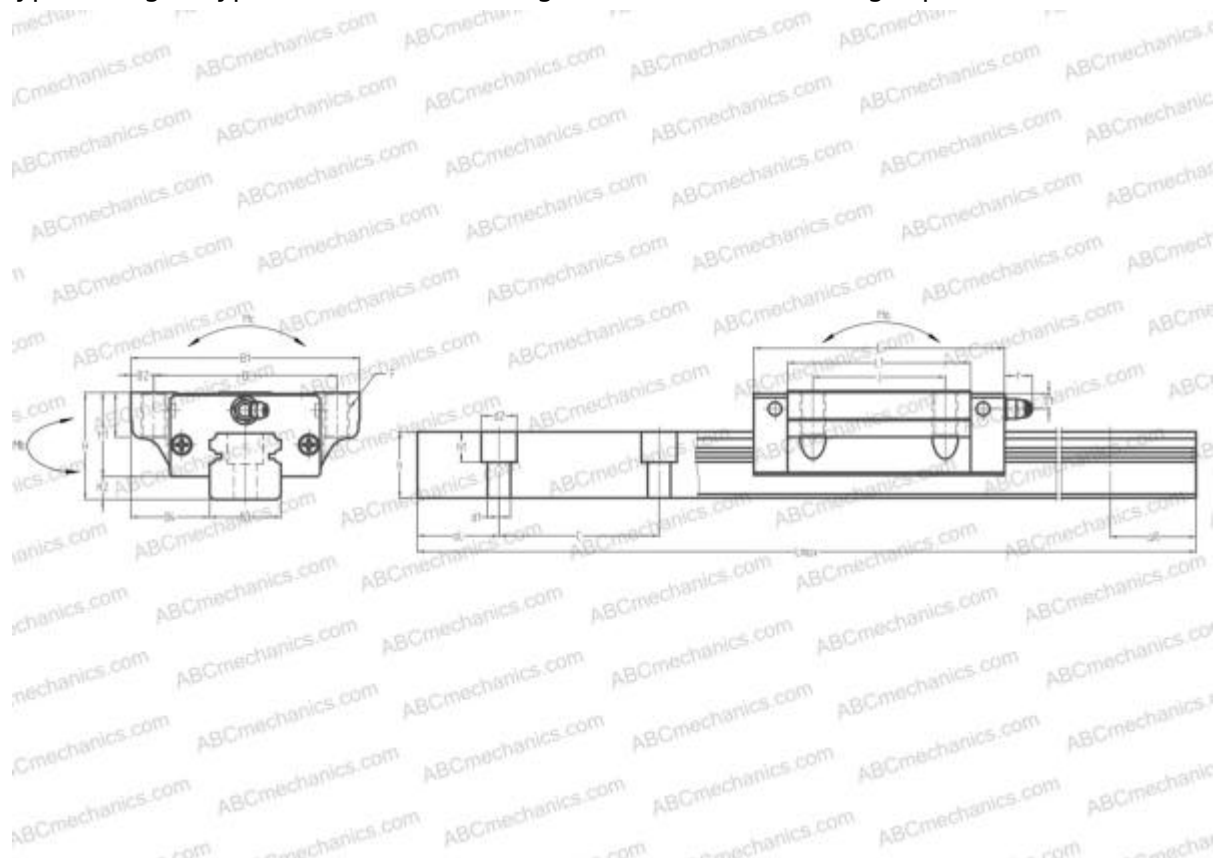


LH55EL ABC

Linear guides

TYPE: Monorail guidance systems, Recirculating balls, High vertical load carrying capacity type, Self-aligning type, Flanged type, Low, Ball slide length - standard, Mounting tap



Technical specification

DIMENSIONS, MM

B1	140,000
H	70,000
L	163,000
B	116,000
J	95,000
L1	126,000
B2	12,000
B3	53,000
B4	43,500
H1	55,000
H2	15,000
T	15,000
T1	11,000
f	13,000
C	120,000

DIMENSIONS, MM

d1	16,000
d2	23,000
h	44,000
h1	20,000
L max	3960,000
aL	30,000
aR	30,000
F	M14x2x28

WEIGHT

Slide weight	5,000
Rail weight	16,900

MANUFACTURER

[ABC](#)

INTERCHANGE

NSK	LH55EL
THK	HSR55A



INTERCHANGE

IKO	LWHT55..B
HIWIN	HGW55CA
STAR	1651-5

