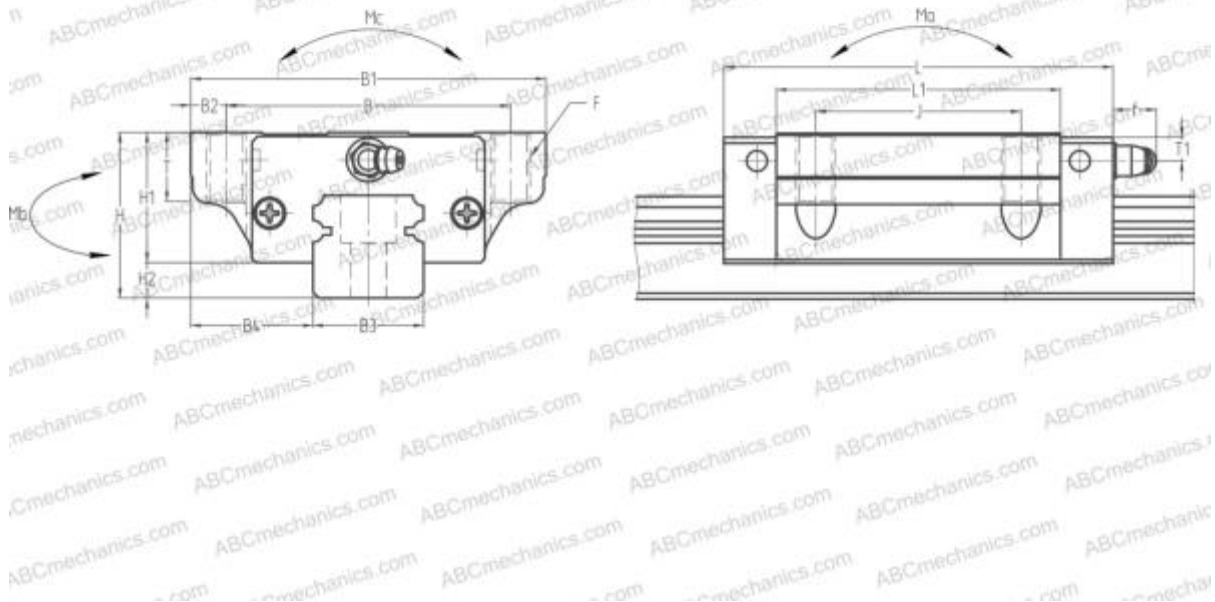


LAH45EL NSK

Linear guides

TYPE: Monorail guidance systems, Recirculating balls, High vertical load carrying capacity type, Self-aligning type, Flanged type, Low, Ball slide length - standard, Mounting tap, Interchangeable part



Technical specification

DIMENSIONS, MM

B1	120,000
H	60,000
L	139,000
B	100,000
J	80,000
L1	105,000
B2	10,000
B3	45,000
B4	37,500
H1	46,000
H2	14,000
T	13,000
T1	10,000
f	13,000
F	M12x1.75x24

SLIDE WEIGHT

3,000

MANUFACTURER

[NSK](#)

CALCULATION DATA

Basic dynamic load rating, C	66,000 kN
Basic static load rating, Co	119,000 kN
Static permissible moment, Ma	1,670 kN-m
Static permissible moment, Mb	1,650 kN-m
Static permissible moment, Mc	2,120 kN-m