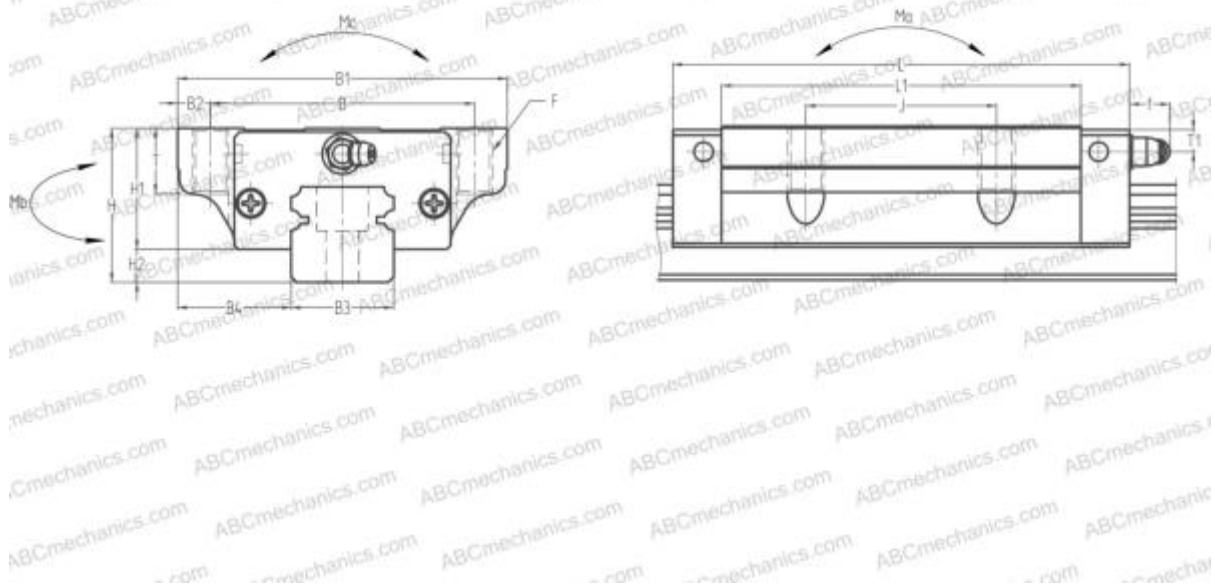


## LAH85GL NSK

Linear guides

TYPE: Monorail guidance systems, Recirculating balls, High vertical load carrying capacity type, Self-aligning type, Flanged type, Low, Ball slide length - long, Mounting tap, Interchangeable part



### Technical specification

#### DIMENSIONS, MM

B1	215,000
H	110,000
L	303,000
B	185,000
J	140,000
L1	243,000
B2	15,000
B3	85,000
B4	65,000
H1	92,000
H2	18,000
T	30,000
T1	23,000
f	13,000
F	M20x2.5x30

#### SLIDE WEIGHT

24,500

#### MANUFACTURER

[NSK](#)

#### CALCULATION DATA

Basic dynamic load rating, C	279,000 kN
Basic static load rating, Co	484,000 kN
Static permissible moment, Ma	16,100 kN-m
Static permissible moment, Mb	15,700 kN-m
Static permissible moment, Mc	17,000 kN-m