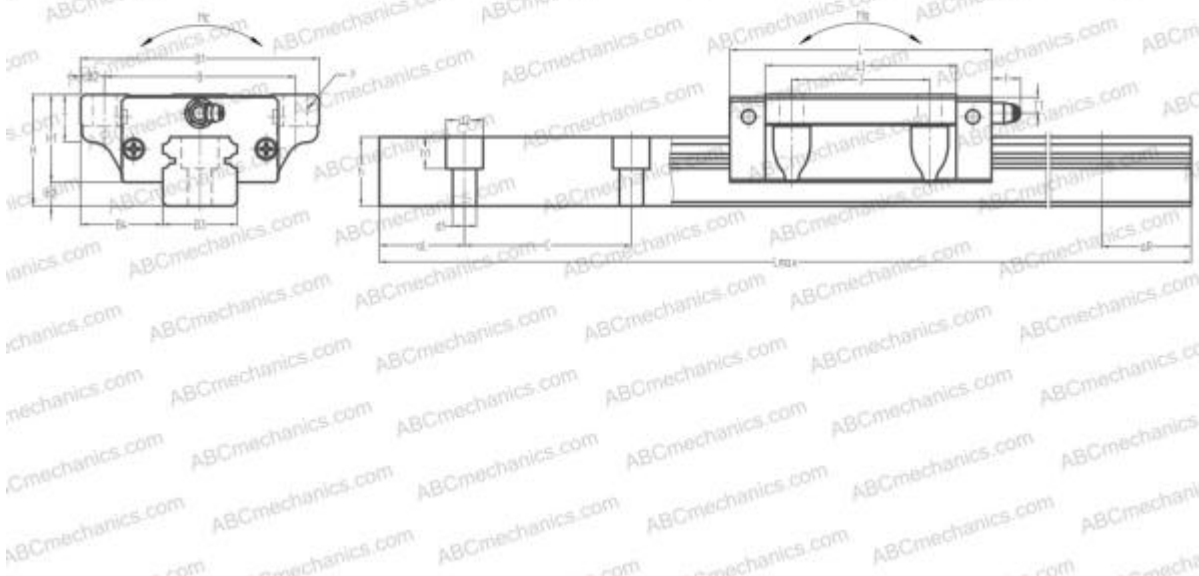


HGW15CB HIWIN

Linear guides

TYPE: Monorail guidance systems, Recirculating balls, High vertical load carrying capacity type, Self-aligning type, Flanged type, Low, Ball slide length - standard, Mounting bolt hole



Technical specification

DIMENSIONS, MM

B1	47,000
H	24,000
L	55,000
B	38,000
J	30,000
L1	39,000
B3	15,000
B4	16,000
H1	19,400
H2	4,600
T	8,000
T1	4,500
f	3,300
C	60,000
d1	4,500

DIMENSIONS, MM

d2	7,500
h	15,000
h1	5,300
L max	2000,000
aL	20,000
aR	20,000
F	4.5x7

WEIGHT

Slide weight	0,170
Rail weight	1,600

MANUFACTURER

[HIWIN](#)

INTERCHANGE

ABC	LH15FL
NSK	LH15FL
THK	HSR15B



INTERCHANGE

IKO	LWH15..B
STAR	1651-1

