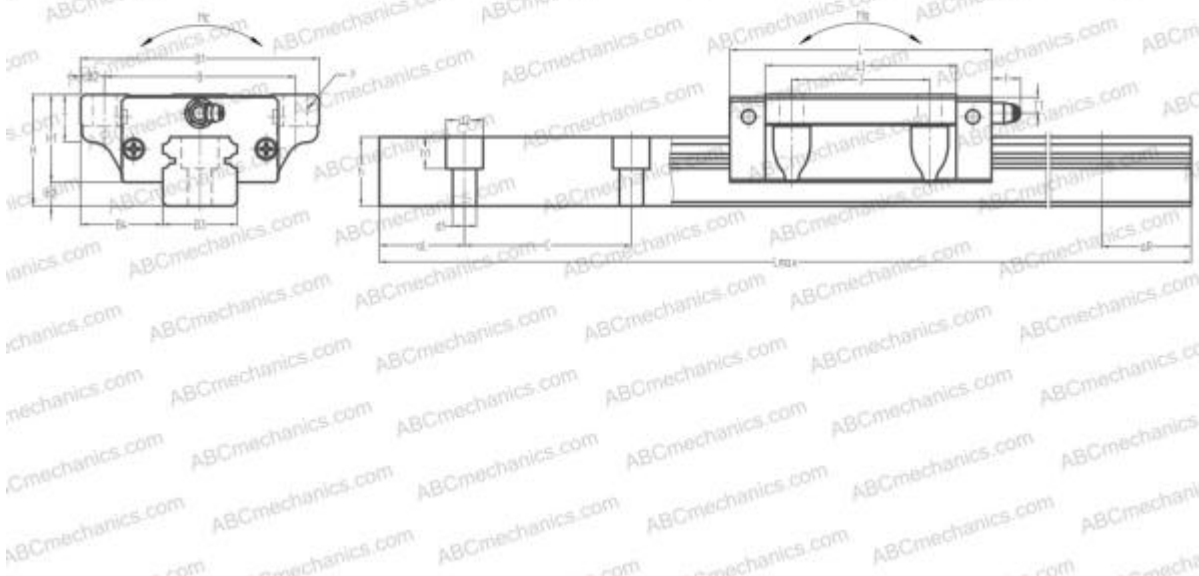


1651-2 STAR

Linear guides

TYPE: Monorail guidance systems, Recirculating balls, High vertical load carrying capacity type, Self-aligning type, Flanged type, Low, Ball slide length - standard, Mounting bolt hole



Technical specification

DIMENSIONS, MM

B1	70,000
H	36,000
L	79,000
B	57,000
J	45,000
L1	58,000
B2	6,500
B3	23,000
B4	23,500
H1	29,000
H2	7,000
T	11,000
T1	6,000
f	11,000
C	60,000

DIMENSIONS, MM

d1	7,000
d2	11,000
h	22,000
h1	9,000
L max	3960,000
aL	20,000
aR	20,000
F	7x10

WEIGHT

Slide weight	0,630
Rail weight	3,600

MANUFACTURER

[STAR](#)

INTERCHANGE

ABC	LH25FL
NSK	LH25FL

INTERCHANGE

THK	HSR25B
IKO	LWH25..B
HIWIN	HGW25CB