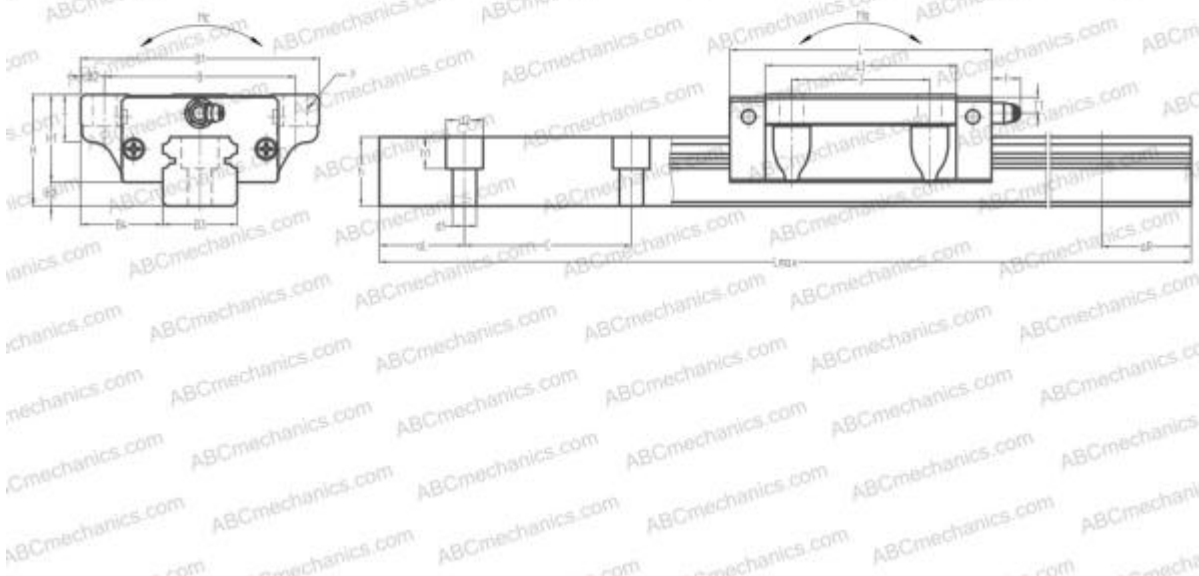


## LWH30..B IKO

Linear guides

TYPE: Monorail guidance systems, Recirculating balls, High vertical load carrying capacity type, Self-aligning type, Flanged type, Low, Ball slide length - standard, Mounting bolt hole



### Technical specification

#### DIMENSIONS, MM

B1	90,000
H	42,000
L	98,600
B	72,000
J	52,000
L1	72,000
B2	9,000
B3	28,000
B4	31,000
H1	33,000
H2	9,000
T	11,000
T1	7,000
f	11,000
C	80,000

#### DIMENSIONS, MM

d1	9,000
d2	14,000
h	26,000
h1	12,000
L max	4000,000
aL	20,000
aR	20,000
F	9x12

#### WEIGHT

Slide weight	1,200
Rail weight	5,200

#### MANUFACTURER

[IKO](#)

#### INTERCHANGE

ABC	<a href="#">LH30FL</a>
NSK	<a href="#">LH30FL</a>



**INTERCHANGE**

THK	<a href="#">HSR30B</a>
HIWIN	<a href="#">HGW30CB</a>
STAR	<a href="#">1651-7</a>

