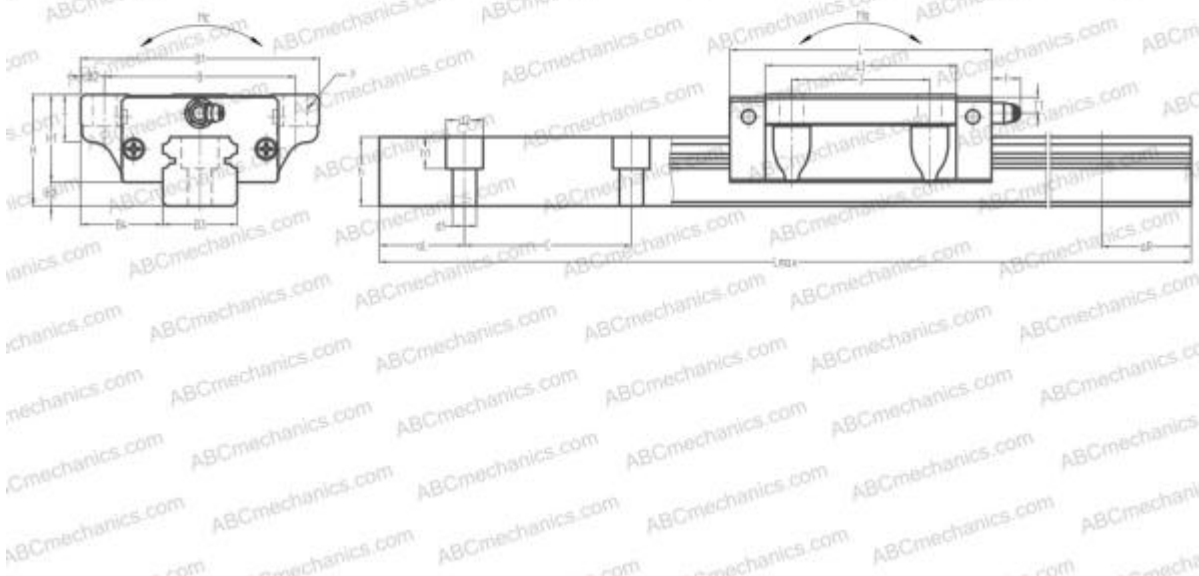


LH35FL NSK

Linear guides

TYPE: Monorail guidance systems, Recirculating balls, High vertical load carrying capacity type, Self-aligning type, Flanged type, Low, Ball slide length - standard, Mounting bolt hole



Technical specification

DIMENSIONS, MM

B1	100,000
H	48,000
L	109,000
B	82,000
J	62,000
L1	80,000
B2	9,000
B3	34,000
B4	33,000
H1	38,500
H2	9,500
T	12,000
T1	8,000
f	11,000
C	80,000

DIMENSIONS, MM

d1	9,000
d2	14,000
h	29,000
h1	12,000
L max	4000,000
aL	20,000
aR	20,000
F	9x13

WEIGHT

Slide weight	1,700
Rail weight	7,200

MANUFACTURER

[NSK](#)

INTERCHANGE

ABC	LH35FL
THK	HSR35B

INTERCHANGE

IKO	LWH35..B
HIWIN	HGW35CB
STAR	1651-3

CALCULATION DATA

Basic dynamic load rating, C	39,000 kN
Basic static load rating, Co	68,500 kN
Static permissible moment, Ma	0,745 kN-m
Static permissible moment, Mb	0,715 kN-m
Static permissible moment, Mc	0,940 kN-m

INCLUDED PRODUCTS

LAH35FL