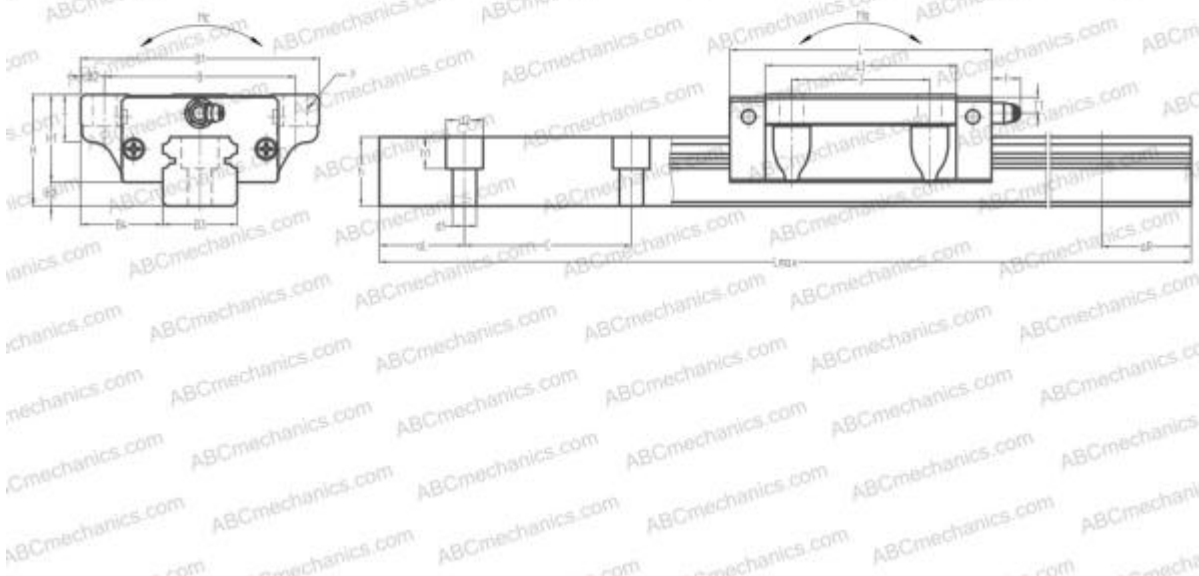


## LH65FL NSK

Linear guides

TYPE: Monorail guidance systems, Recirculating balls, High vertical load carrying capacity type, Self-aligning type, Flanged type, Low, Ball slide length - standard, Mounting bolt hole



### Technical specification

#### DIMENSIONS, MM

B1	170,000
H	90,000
L	193,000
B	142,000
J	110,000
L1	147,000
B2	14,000
B3	63,000
B4	53,500
H1	74,000
H2	16,000
T	23,000
T1	19,000
f	13,000
C	150,000

#### DIMENSIONS, MM

d1	18,000
d2	26,000
h	53,000
h1	22,000
L max	3900,000
aL	35,000
aR	35,000
F	16x24

#### WEIGHT

Slide weight	10,000
Rail weight	24,300

#### MANUFACTURER

[NSK](#)

#### INTERCHANGE

ABC	<a href="#">LH65FL</a>
THK	<a href="#">HSR65B</a>

**INTERCHANGE**

IKO	<a href="#">LWH65..B</a>
HIWIN	<a href="#">HGW65CB</a>
STAR	<a href="#">1651-6</a>

**CALCULATION DATA**

Basic dynamic load rating, C	150,000 kN
Basic static load rating, Co	240,000 kN
Static permissible moment, Ma	4,850 kN-m
Static permissible moment, Mb	4,750 kN-m
Static permissible moment, Mc	6,150 kN-m

**INCLUDED PRODUCTS**

LAH65FL