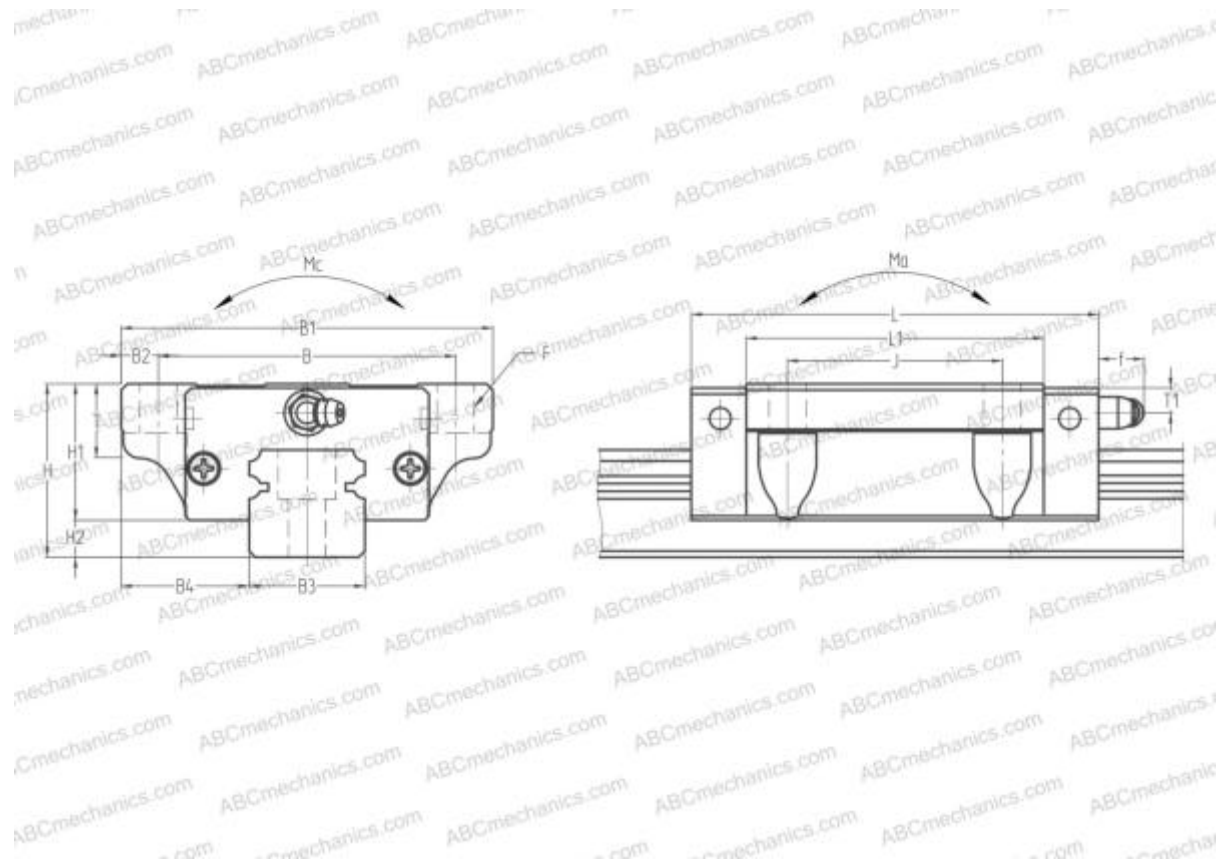


## LAH65FL NSK

Linear guides

TYPE: Monorail guidance systems, Recirculating balls, High vertical load carrying capacity type, Self-aligning type, Flanged type, Low, Ball slide length - standard, Mounting bolt hole, Interchangeable part



### Technical specification

#### DIMENSIONS, MM

B1	170,000
H	90,000
L	193,000
B	142,000
J	110,000
L1	147,000
B2	14,000
B3	63,000
B4	53,500
H1	74,000
H2	16,000
T	23,000
T1	19,000
f	13,000
F	16x24

#### SLIDE WEIGHT

10,000

#### MANUFACTURER

[NSK](#)

#### CALCULATION DATA

Basic dynamic load rating, C	150,000 kN
Basic static load rating, Co	240,000 kN
Static permissible moment, Ma	4,850 kN-m
Static permissible moment, Mb	4,750 kN-m
Static permissible moment, Mc	6,150 kN-m