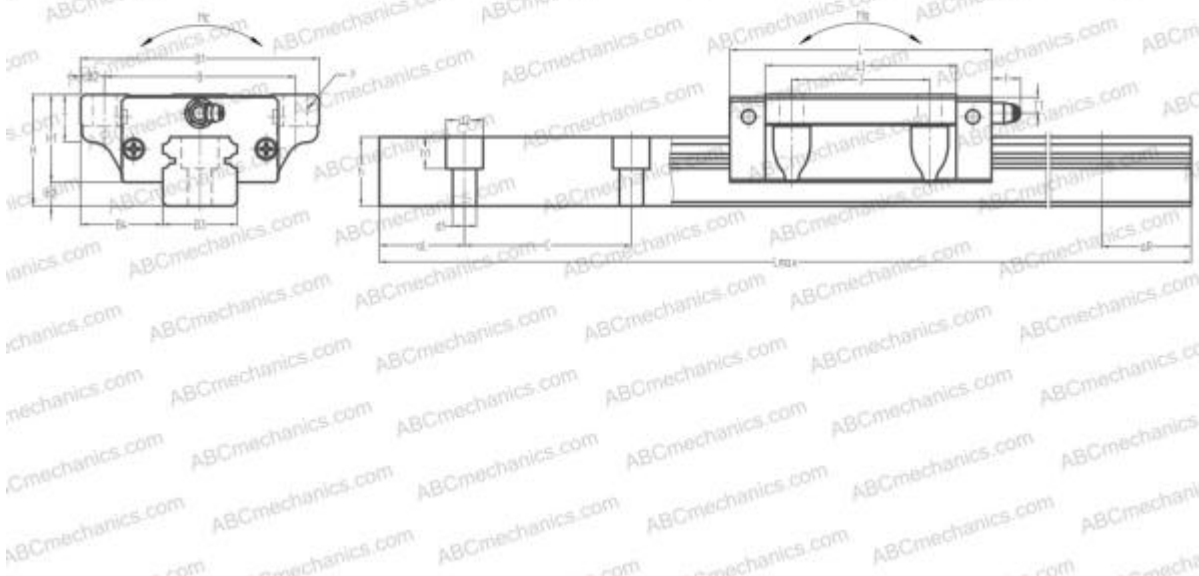


1653-7 STAR

Linear guides

TYPE: Monorail guidance systems, Recirculating balls, High vertical load carrying capacity type, Self-aligning type, Flanged type, Low, Ball slide length - long, Mounting bolt hole



Technical specification

DIMENSIONS, MM

B1	90,000
H	42,000
L	124,600
B	72,000
J	52,000
L1	98,000
B2	9,000
B3	28,000
B4	31,000
H1	33,000
H2	9,000
T	11,000
T1	7,000
f	11,000
C	80,000

DIMENSIONS, MM

d1	9,000
d2	14,000
h	26,000
h1	12,000
L max	4000,000
aL	20,000
aR	20,000
F	9x12

WEIGHT

Slide weight	1,600
Rail weight	5,200

MANUFACTURER

[STAR](#)

INTERCHANGE

ABC	LH30HL
NSK	LH30HL

INTERCHANGE

THK	HSR30LB
IKO	LWHG30
HIWIN	HGW30HB