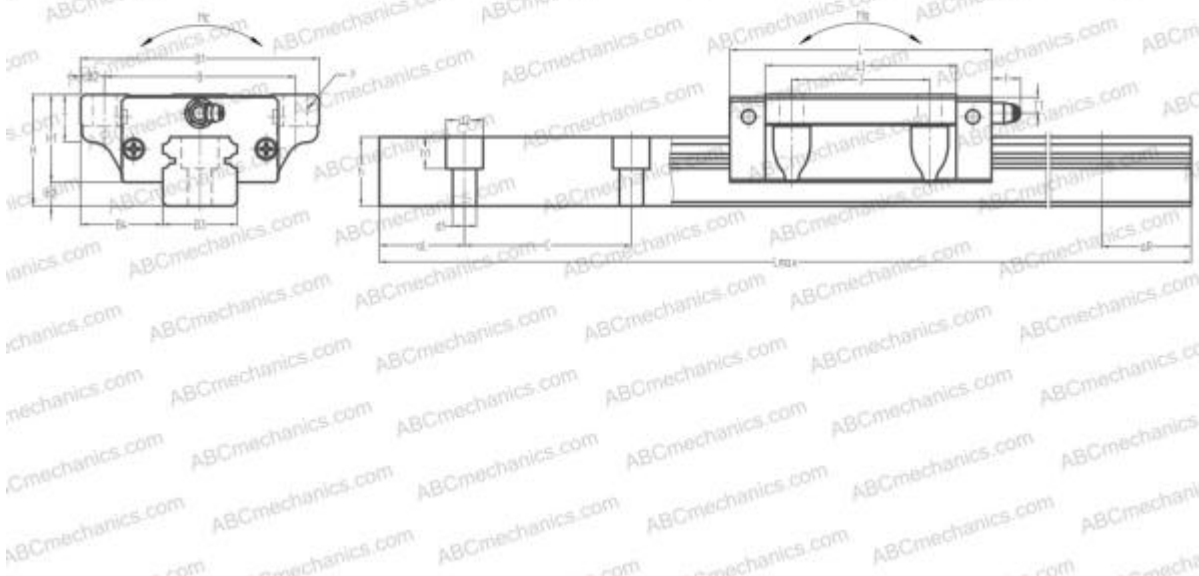


## 1653-4 STAR

Linear guides

TYPE: Monorail guidance systems, Recirculating balls, High vertical load carrying capacity type, Self-aligning type, Flanged type, Low, Ball slide length - long, Mounting bolt hole



### Technical specification

#### DIMENSIONS, MM

B1	120,000
H	60,000
L	171,000
B	100,000
J	80,000
L1	137,000
B2	10,000
B3	45,000
B4	37,500
H1	46,000
H2	14,000
T	13,000
T1	10,000
f	13,000
C	105,000

#### DIMENSIONS, MM

d1	14,000
d2	20,000
h	38,000
h1	17,000
L max	3990,000
aL	22,500
aR	22,500
F	11x15

#### WEIGHT

Slide weight	3,900
Rail weight	12,300

#### MANUFACTURER

[STAR](#)

#### INTERCHANGE

ABC	<a href="#">LH45HL</a>
NSK	<a href="#">LH45HL</a>

**INTERCHANGE**

THK	<a href="#">HSR45LB</a>
IKO	<a href="#">LWHG45</a>
HIWIN	<a href="#">HGW45HB</a>