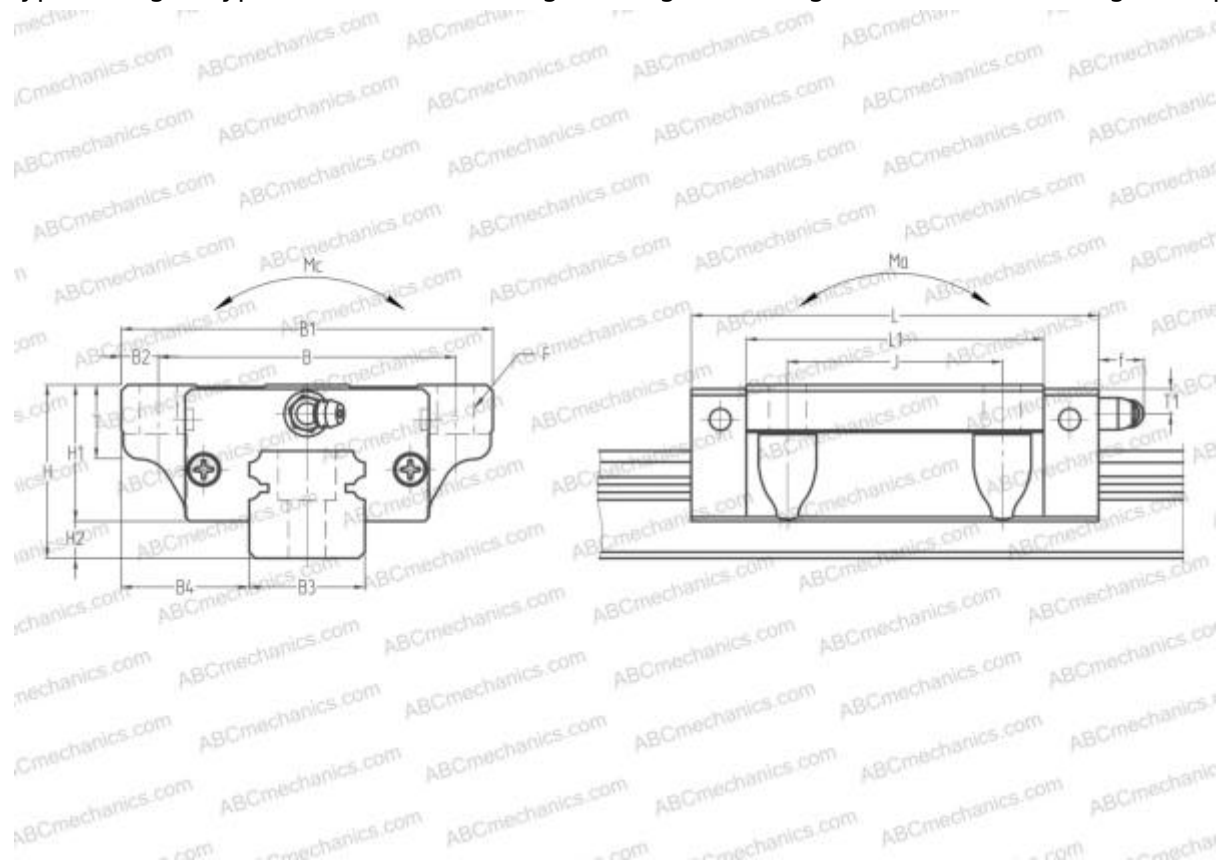


LAH15HL NSK

Linear guides

TYPE: Monorail guidance systems, Recirculating balls, High vertical load carrying capacity type, Self-aligning type, Flanged type, Low, Ball slide length - long, Mounting bolt hole, Interchangeable part



Technical specification

DIMENSIONS, MM

B1	47,000
H	24,000
L	74,000
B	38,000
J	30,000
L1	58,000
B3	15,000
B4	16,000
H1	19,400
H2	4,600
T	8,000
T1	4,500
f	3,300
F	4.5x7

SLIDE WEIGHT

0,170

MANUFACTURER

[NSK](#)

CALCULATION DATA

Basic dynamic load rating, C	14,600 kN
Basic static load rating, Co	32,000 kN
Static permissible moment, Ma	0,216 kN-m
Static permissible moment, Mb	0,181 kN-m
Static permissible moment, Mc	0,166 kN-m