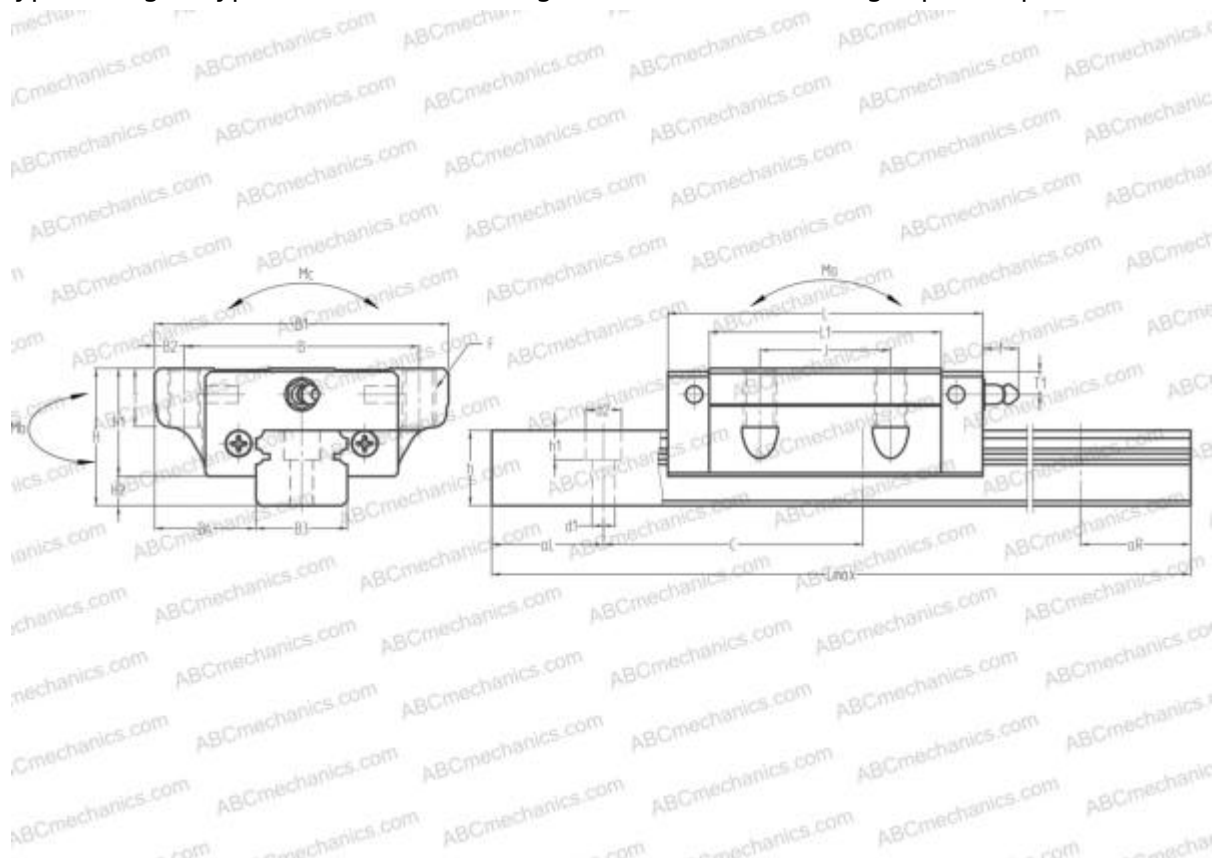


## AT 15G THOMSON

Linear guides

TYPE: Monorail guidance systems, Recirculating balls, High vertical load carrying capacity type, Self-aligning type, Flanged type, Low, Ball slide length - standard, Mounting tap, Compact



### Technical specification

#### DIMENSIONS, MM

B1	52,000
H	24,000
L	56,800
B	41,000
J	26,000
L1	40,000
B2	5,500
B3	15,000
B4	18,500
H1	19,400
H2	4,600
T	8,000
T1	6,000
f	3,000
C	60,000

#### DIMENSIONS, MM

d1	3,500
d2	6,000
h	12,500
h1	4,500
L max	2000,000
aL	20,000
aR	20,000
F	M5x0.8x8

#### WEIGHT

Slide weight	0,260
Rail weight	1,400

#### MANUFACTURER

[THOMSON](#)

#### INTERCHANGE

ABC	<a href="#">LS15EL</a>
NSK	<a href="#">LS15EL</a>



**INTERCHANGE**

IKO	<a href="#">LWET15</a>
HIWIN	<a href="#">EGW15CA</a>
NB	<a href="#">SGL15TE</a>

