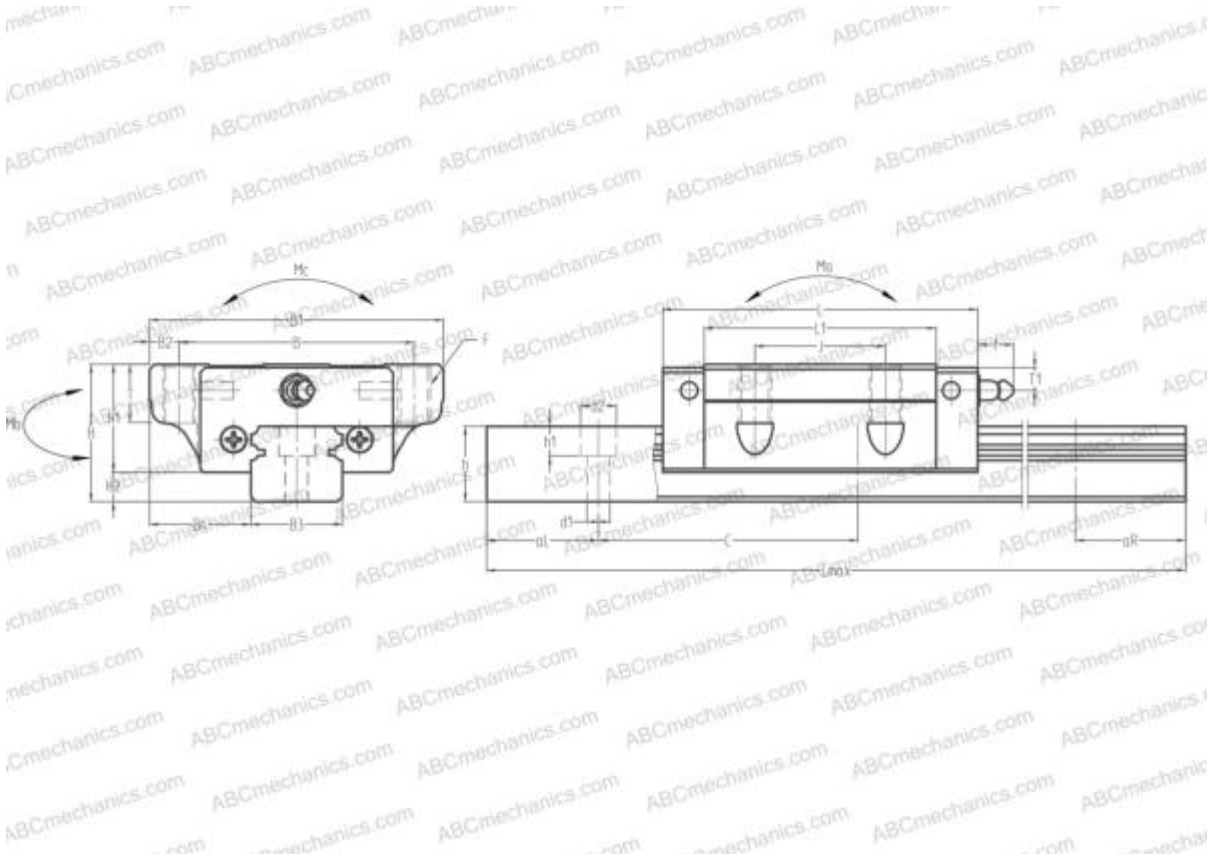


AT 30G THOMSON

Linear guides

TYPE: Monorail guidance systems, Recirculating balls, High vertical load carrying capacity type, Self-aligning type, Flanged type, Low, Ball slide length - standard, Mounting tap, Compact



Technical specification

DIMENSIONS, MM

| | |
|----|--------|
| B1 | 90,000 |
| H | 42,000 |
| L | 96,400 |
| B | 72,000 |
| J | 40,000 |
| L1 | 71,000 |
| B2 | 9,000 |
| B3 | 28,000 |
| B4 | 31,000 |
| H1 | 33,000 |
| H2 | 9,000 |
| T | 11,000 |
| T1 | 8,000 |
| f | 11,000 |
| C | 80,000 |

DIMENSIONS, MM

| | |
|-------|------------|
| d1 | 7,000 |
| d2 | 11,000 |
| h | 23,000 |
| h1 | 9,000 |
| L max | 4000,000 |
| aL | 20,000 |
| aR | 20,000 |
| F | M10x1.5x18 |

WEIGHT

| | |
|--------------|-------|
| Slide weight | 1,200 |
| Rail weight | 4,800 |

MANUFACTURER

[THOMSON](#)

INTERCHANGE

| | |
|-----|------------------------|
| ABC | LS30EL |
| NSK | LS30EL |



INTERCHANGE

| | |
|-------|-------------------------|
| IKO | LWET30 |
| HIWIN | EGW30CA |
| NB | SGL30TE |

