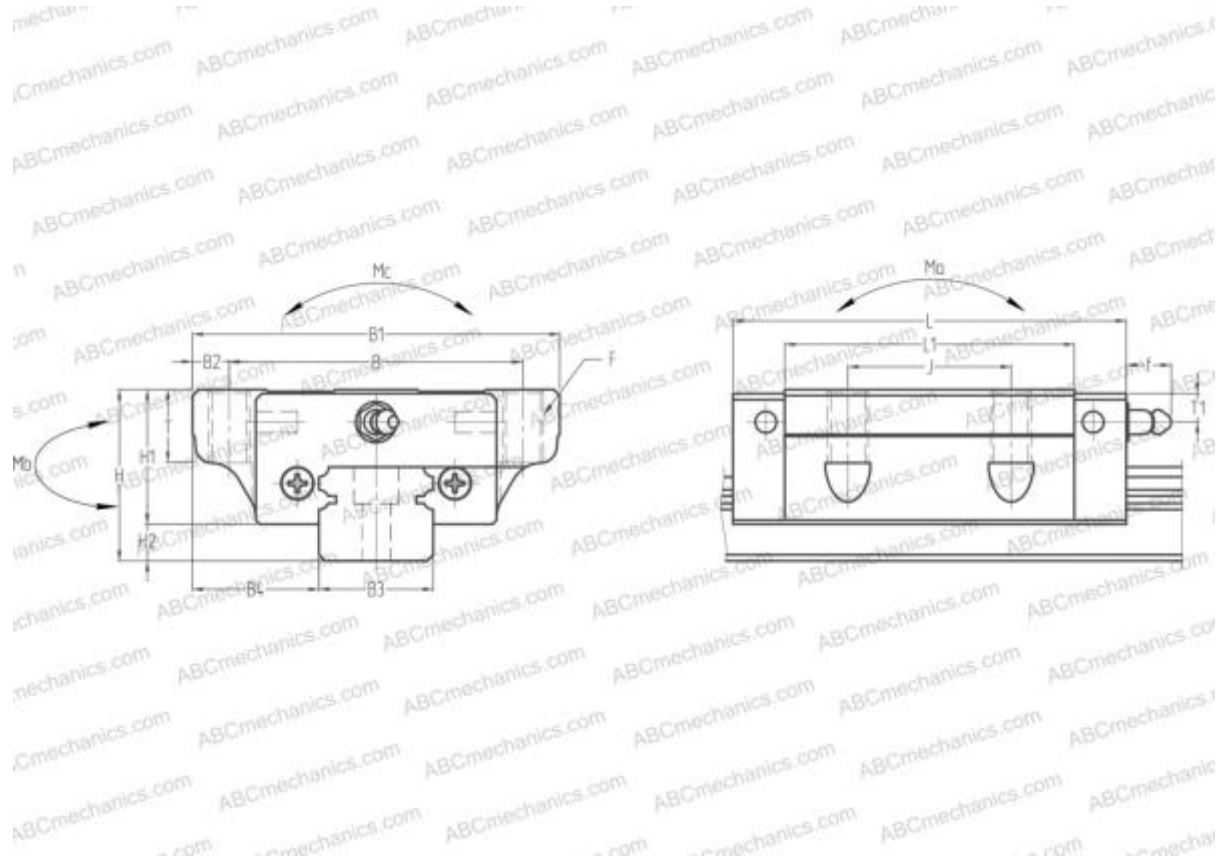


## LAS25EL NSK

Linear guides

TYPE: Monorail guidance systems, Recirculating balls, High vertical load carrying capacity type, Self-aligning type, Flanged type, Low, Ball slide length - standard, Mounting tap, Compact, Interchangeable part



### Technical specification

#### DIMENSIONS, MM

B1	73,000
H	33,000
L	81,600
B	60,000
J	35,000
L1	60,000
B2	6,500
B3	23,000
B4	25,000
H1	26,000
H2	7,000
T	11,000
T1	7,000
f	11,000
F	M8x1.25x12

#### SLIDE WEIGHT

0,660

#### MANUFACTURER

[NSK](#)

#### CALCULATION DATA

Basic dynamic load rating, C	14,400 kN
Basic static load rating, Co	29,100 kN
Static permissible moment, Ma	206,000 kN-m
Static permissible moment, Mb	196,000 kN-m
Static permissible moment, Mc	245,000 kN-m