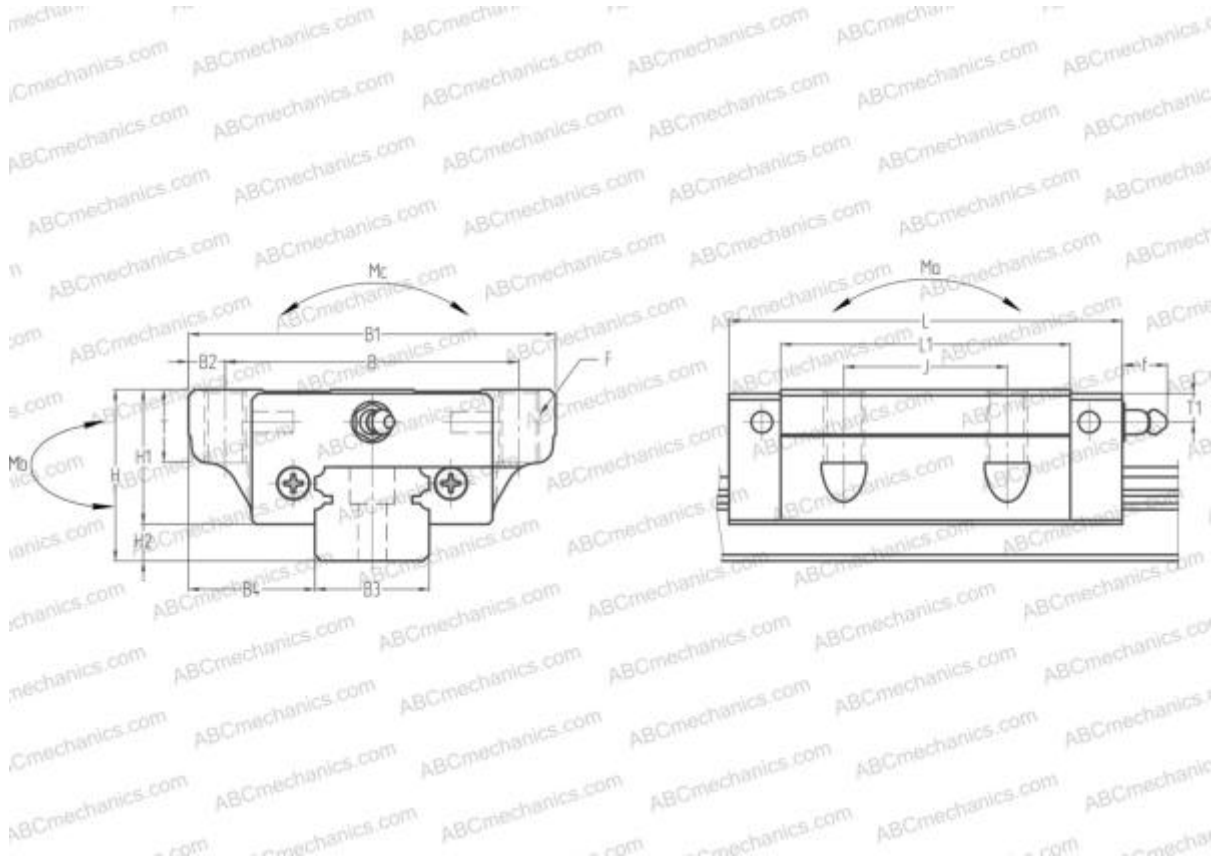


LAS35EL NSK

Linear guides

TYPE: Monorail guidance systems, Recirculating balls, High vertical load carrying capacity type, Self-aligning type, Flanged type, Low, Ball slide length - standard, Mounting tap, Compact, Interchangeable part



Technical specification

DIMENSIONS, MM

B1	100,000
H	48,000
L	108,000
B	82,000
J	50,000
L1	80,000
B2	9,000
B3	34,000
B4	33,000
H1	37,500
H2	10,500
T	12,000
T1	8,500
f	11,000
F	M10x1.5x20

SLIDE WEIGHT

1,700

MANUFACTURER

[NSK](#)

CALCULATION DATA

Basic dynamic load rating, C	32,500 kN
Basic static load rating, Co	58,500 kN
Static permissible moment, Ma	570,000 kN-m
Static permissible moment, Mb	560,000 kN-m
Static permissible moment, Mc	775,000 kN-m