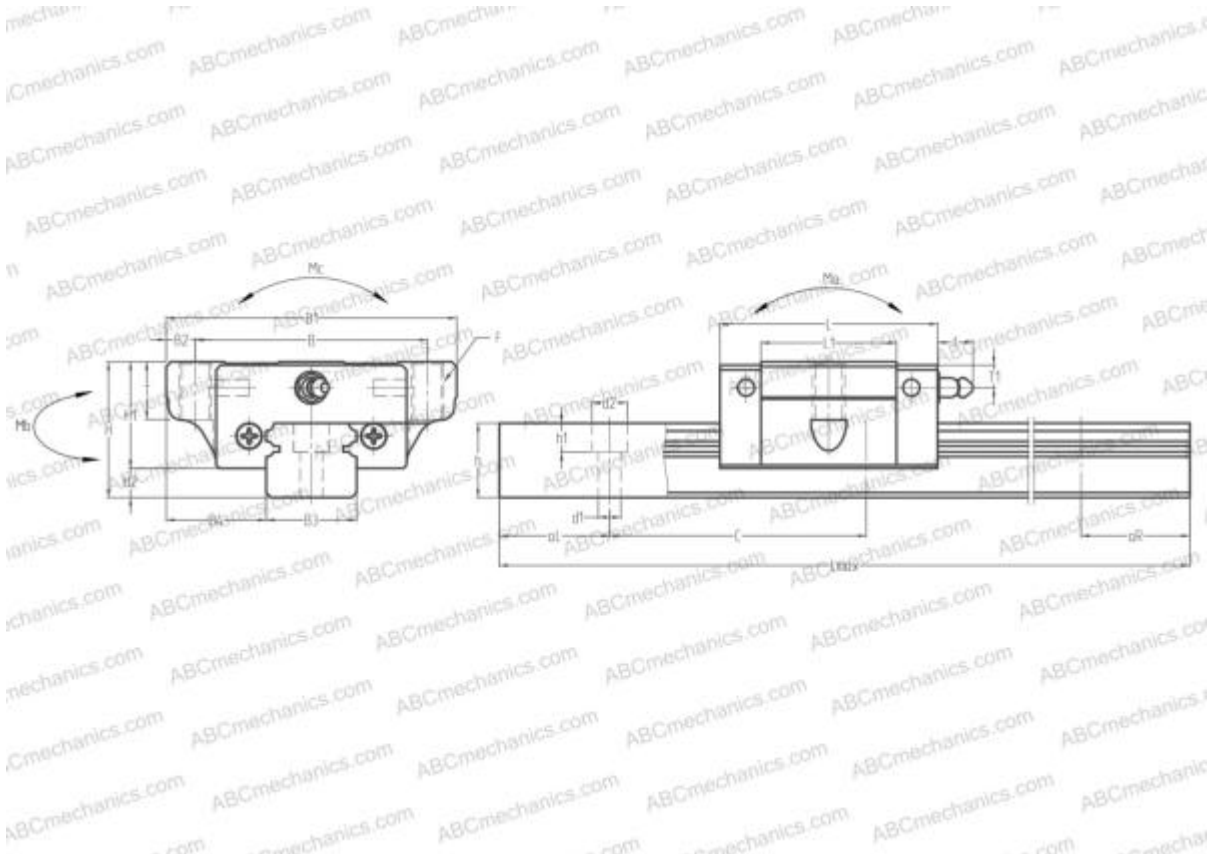


## LS20JL ABC

Linear guides

TYPE: Monorail guidance systems, Recirculating balls, High vertical load carrying capacity type, Self-aligning type, Flanged type, Low, Ball slide length - short, Mounting tap, Compact



### Technical specification

#### DIMENSIONS, MM

B1	59,000
H	28,000
L	47,200
B	49,000
L1	30,000
B2	5,000
B3	20,000
B4	19,500
H1	22,000
H2	6,000
T	10,000
T1	5,500
f	11,000
C	60,000
d1	6,000

#### DIMENSIONS, MM

d2	9,500
h	15,500
h1	8,500
L max	3960,000
aL	20,000
aR	20,000
F	M6x1x10

#### WEIGHT

Slide weight	0,240
Rail weight	2,300

#### MANUFACTURER

[ABC](#)

#### INTERCHANGE

NSK	<a href="#">LS20JL</a>
IKO	<a href="#">LWETC20</a>
HIWIN	<a href="#">AGW20SA</a>



**INTERCHANGE**

STAR

[1663-8](#)

