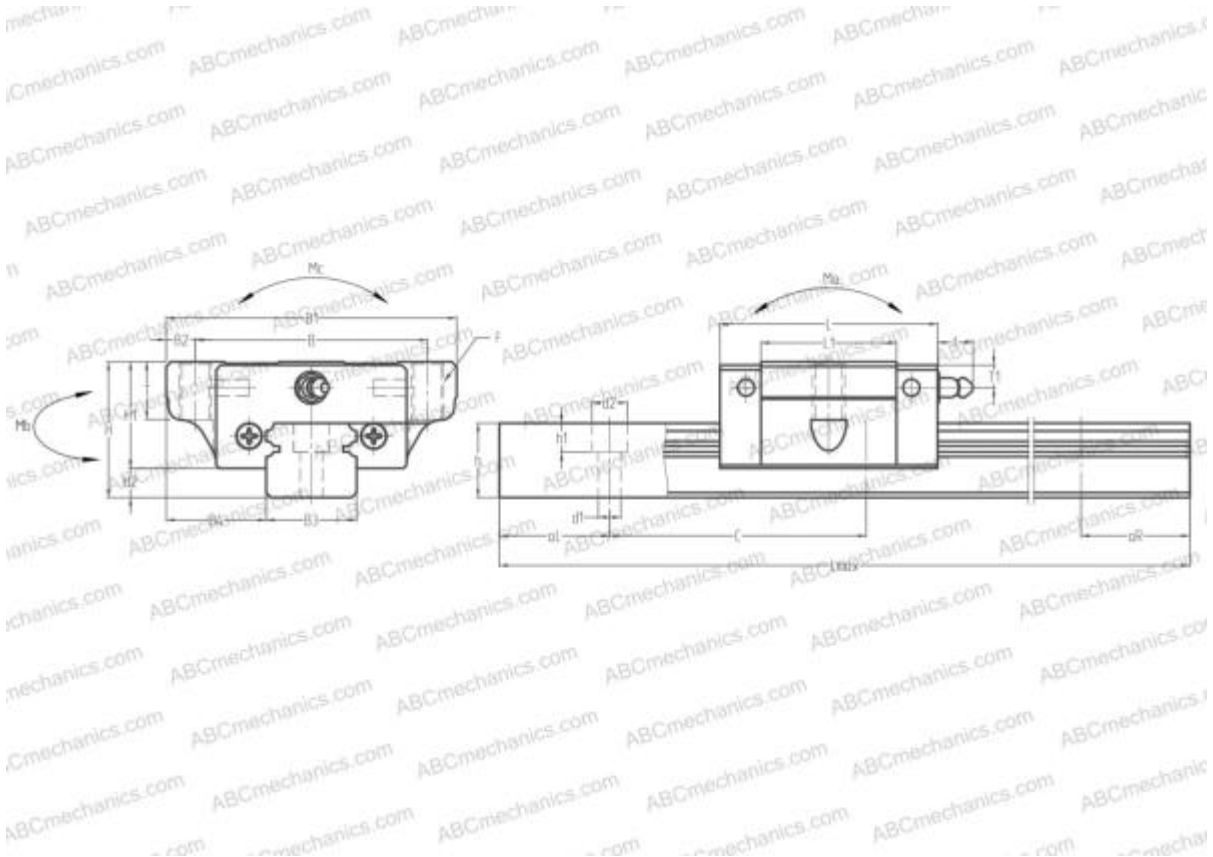


LS20JL NSK

Linear guides

TYPE: Monorail guidance systems, Recirculating balls, High vertical load carrying capacity type, Self-aligning type, Flanged type, Low, Ball slide length - short, Mounting tap, Compact



Technical specification

DIMENSIONS, MM

B1	59,000
H	28,000
L	47,200
B	49,000
L1	30,000
B2	5,000
B3	20,000
B4	19,500
H1	22,000
H2	6,000
T	10,000
T1	5,500
f	11,000
C	60,000
d1	6,000

DIMENSIONS, MM

d2	9,500
h	15,500
h1	8,500
L max	3960,000
aL	20,000
aR	20,000
F	M6x1x10

WEIGHT

Slide weight	0,240
Rail weight	2,300

MANUFACTURER

[NSK](#)

INTERCHANGE

ABC	LS20JL
IKO	LWETC20
HIWIN	AGW20SA

INTERCHANGE

STAR	1663-8
------	------------------------

CALCULATION DATA

Basic dynamic load rating, C	6,550 kN
Basic static load rating, Co	12,200 kN
Static permissible moment, Ma	39,000 kN-m
Static permissible moment, Mb	39,000 kN-m
Static permissible moment, Mc	88,000 kN-m

INCLUDED PRODUCTS

LAS20JL
