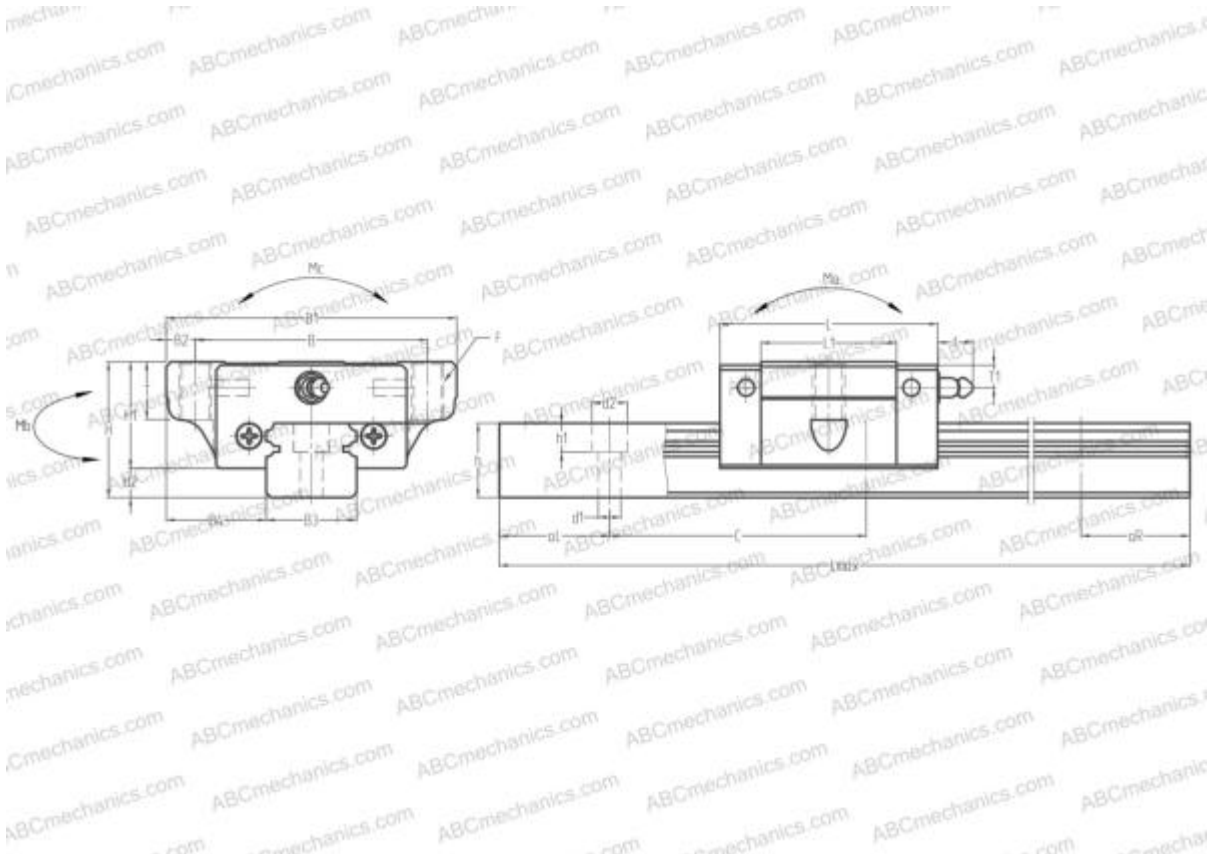


LS35JL NSK

Linear guides

TYPE: Monorail guidance systems, Recirculating balls, High vertical load carrying capacity type, Self-aligning type, Flanged type, Low, Ball slide length - short, Mounting tap, Compact



Technical specification

DIMENSIONS, MM

B1	100,000
H	48,000
L	77,000
B	82,000
L1	49,000
B2	9,000
B3	34,000
B4	33,000
H1	37,500
H2	10,500
T	12,000
T1	8,500
f	11,000
C	80,000
d1	9,000

DIMENSIONS, MM

d2	14,000
h	27,500
h1	12,000
L max	4000,000
aL	20,000
aR	20,000
F	M10x1.5x20

WEIGHT

Slide weight	1,200
Rail weight	7,000

MANUFACTURER

[NSK](#)

INTERCHANGE

ABC	LS35JL
IKO	LWETC35
HIWIN	AGW35SA

INTERCHANGE

STAR	1665-3
------	------------------------

CALCULATION DATA

Basic dynamic load rating, C	22,100 kN
Basic static load rating, Co	36,000 kN
Static permissible moment, Ma	177,000 kN-m
Static permissible moment, Mb	177,000 kN-m
Static permissible moment, Mc	410,000 kN-m

INCLUDED PRODUCTS

LAS35JL
