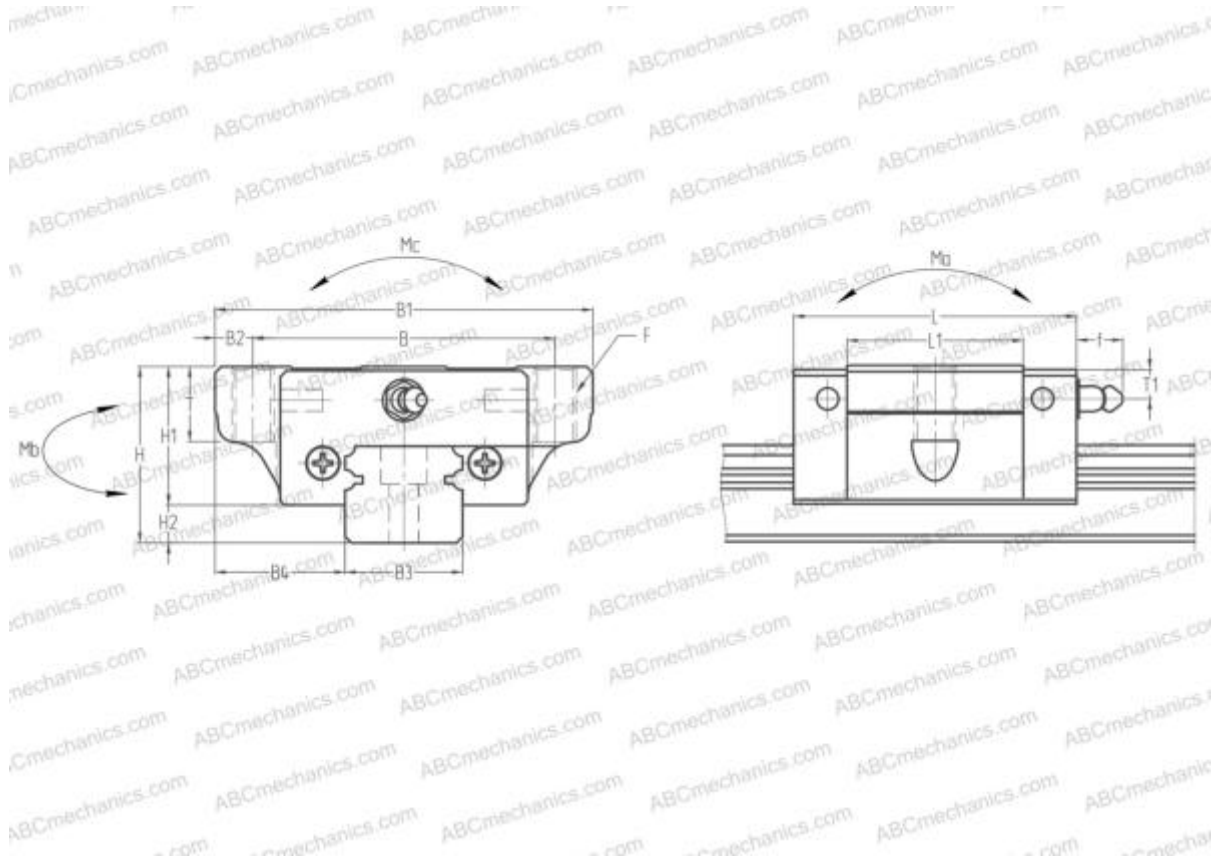


LAS20JL NSK

Linear guides

TYPE: Monorail guidance systems, Recirculating balls, High vertical load carrying capacity type, Self-aligning type, Flanged type, Low, Ball slide length - short, Mounting tap, Compact, Interchangeable part



Technical specification

DIMENSIONS, MM

B1	59,000
H	28,000
L	47,200
B	49,000
L1	30,000
B2	5,000
B3	20,000
B4	19,500
H1	22,000
H2	6,000
T	10,000
T1	5,500
f	11,000
F	M6x1x10

SLIDE WEIGHT

0,240

MANUFACTURER

[NSK](#)

CALCULATION DATA

Basic dynamic load rating, C	6,550 kN
Basic static load rating, Co	12,200 kN
Static permissible moment, Ma	39,000 kN-m
Static permissible moment, Mb	39,000 kN-m
Static permissible moment, Mc	88,000 kN-m