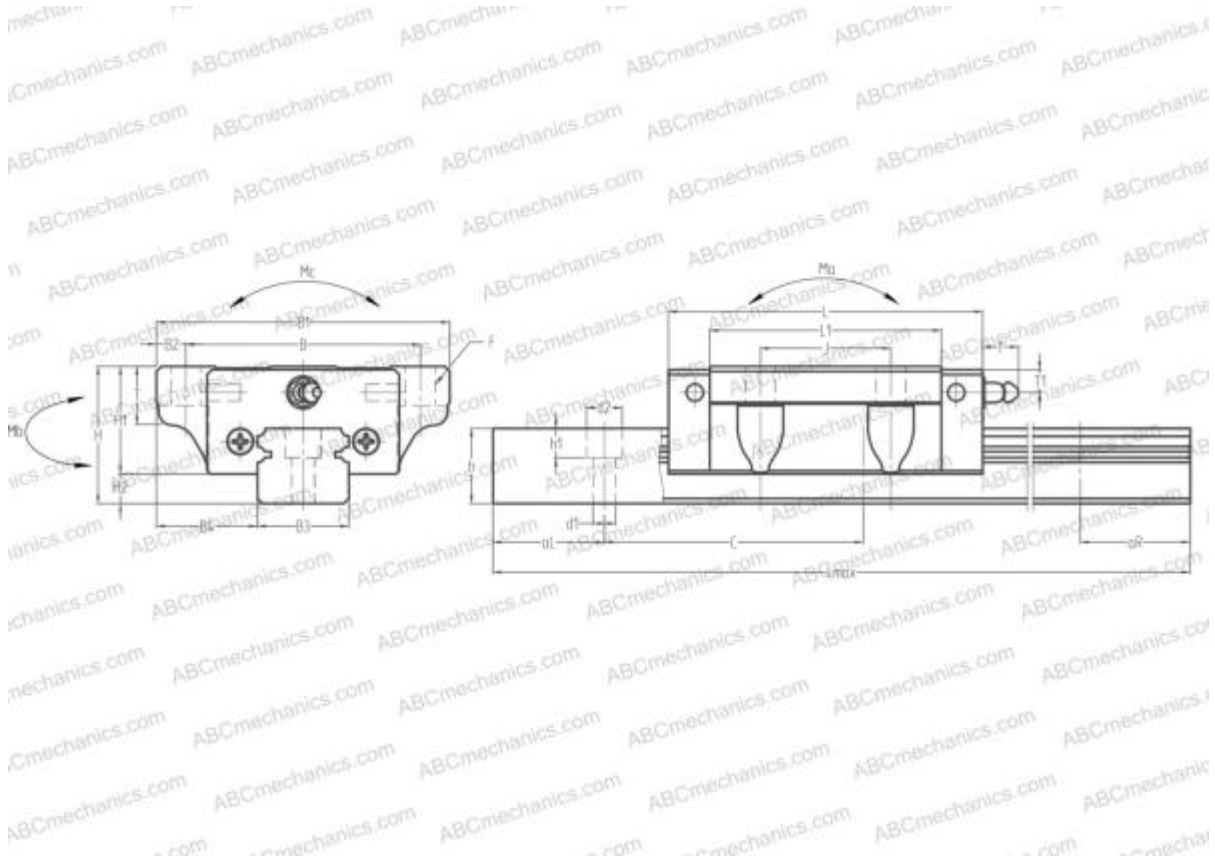


## LS15FL NSK

Linear guides

TYPE: Monorail guidance systems, Recirculating balls, High vertical load carrying capacity type, Self-aligning type, Flanged type, Low, Ball slide length - standard, Mounting bolt hole, Compact



### Technical specification

#### DIMENSIONS, MM

B1	52,000
H	24,000
L	56,800
B	41,000
J	26,000
L1	40,000
B2	5,500
B3	15,000
B4	18,500
H1	19,400
H2	4,600
T	8,000
T1	6,000
f	3,000
C	60,000

#### DIMENSIONS, MM

d1	3,500
d2	6,000
h	12,500
h1	4,500
L max	2000,000
aL	20,000
aR	20,000
F	4.5x7

#### WEIGHT

Slide weight	0,260
Rail weight	1,400

#### MANUFACTURER

[NSK](#)

#### INTERCHANGE

ABC	<a href="#">LS15FL</a>
THK	<a href="#">SR15TB</a>

**INTERCHANGE**

IKO	<a href="#">LWE15</a>
HIWIN	<a href="#">EGW15CB</a>
NB	<a href="#">SGL15TE</a>
THOMSON	<a href="#">AT 15G</a>

**CALCULATION DATA**

Basic dynamic load rating, C	6,700 kN
Basic static load rating, Co	12,500 kN
Static permissible moment, Ma	0,049 kN-m
Static permissible moment, Mb	0,049 kN-m
Static permissible moment, Mc	0,069 kN-m

**INCLUDED PRODUCTS**

LAS15FL