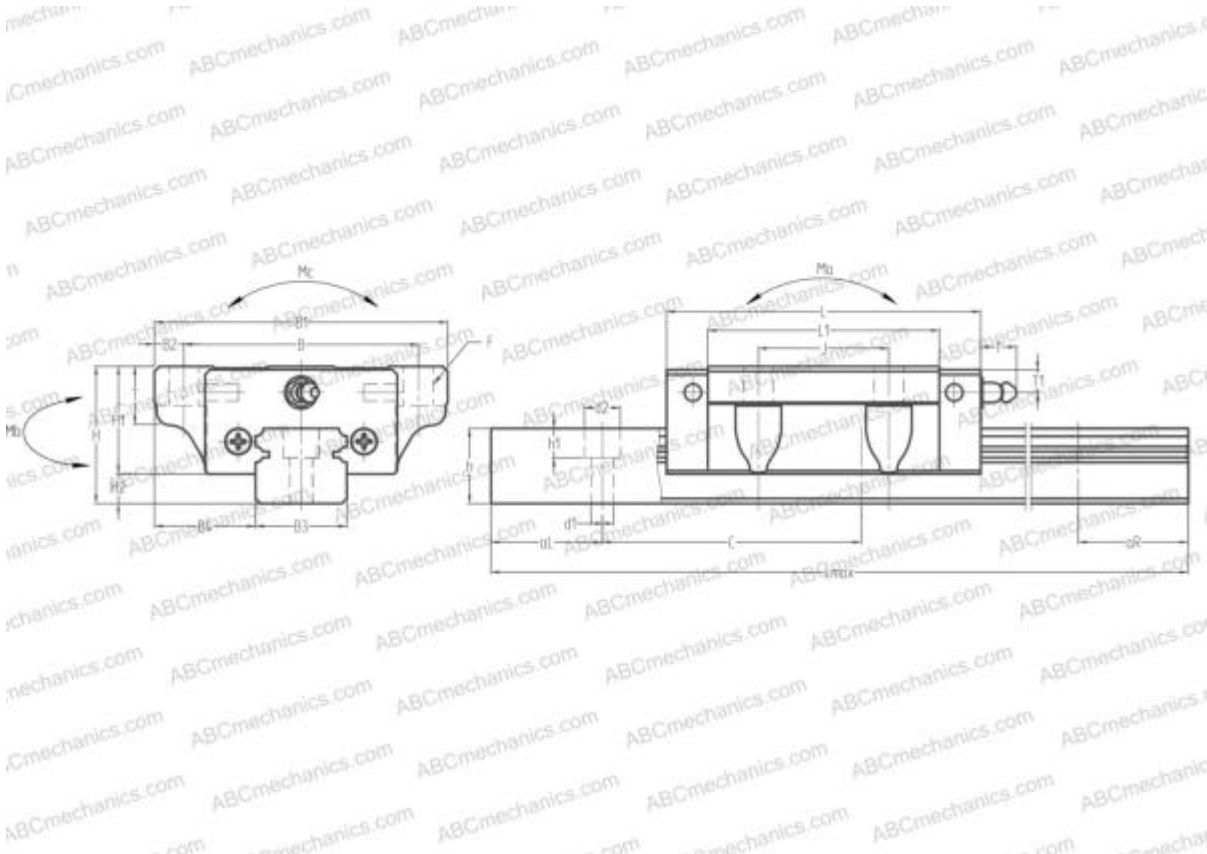


SGL15TE NB

Linear guides

TYPE: Monorail guidance systems, Recirculating balls, High vertical load carrying capacity type, Self-aligning type, Flanged type, Low, Ball slide length - standard, Mounting bolt hole, Compact



Technical specification

DIMENSIONS, MM

| | |
|----|--------|
| B1 | 52,000 |
| H | 24,000 |
| L | 56,800 |
| B | 41,000 |
| J | 26,000 |
| L1 | 40,000 |
| B2 | 5,500 |
| B3 | 15,000 |
| B4 | 18,500 |
| H1 | 19,400 |
| H2 | 4,600 |
| T | 8,000 |
| T1 | 6,000 |
| f | 3,000 |
| C | 60,000 |

DIMENSIONS, MM

| | |
|-------|----------|
| d1 | 3,500 |
| d2 | 6,000 |
| h | 12,500 |
| h1 | 4,500 |
| L max | 2000,000 |
| aL | 20,000 |
| aR | 20,000 |
| F | 4.5x7 |

WEIGHT

| | |
|--------------|-------|
| Slide weight | 0,260 |
| Rail weight | 1,400 |

MANUFACTURER

[NB](#)

INTERCHANGE

| | |
|-----|------------------------|
| ABC | LS15FL |
| NSK | LS15FL |

INTERCHANGE

| | |
|---------|-------------------------|
| THK | SR15TB |
| IKO | LWE15 |
| HIWIN | EGW15CB |
| THOMSON | AT 15G |