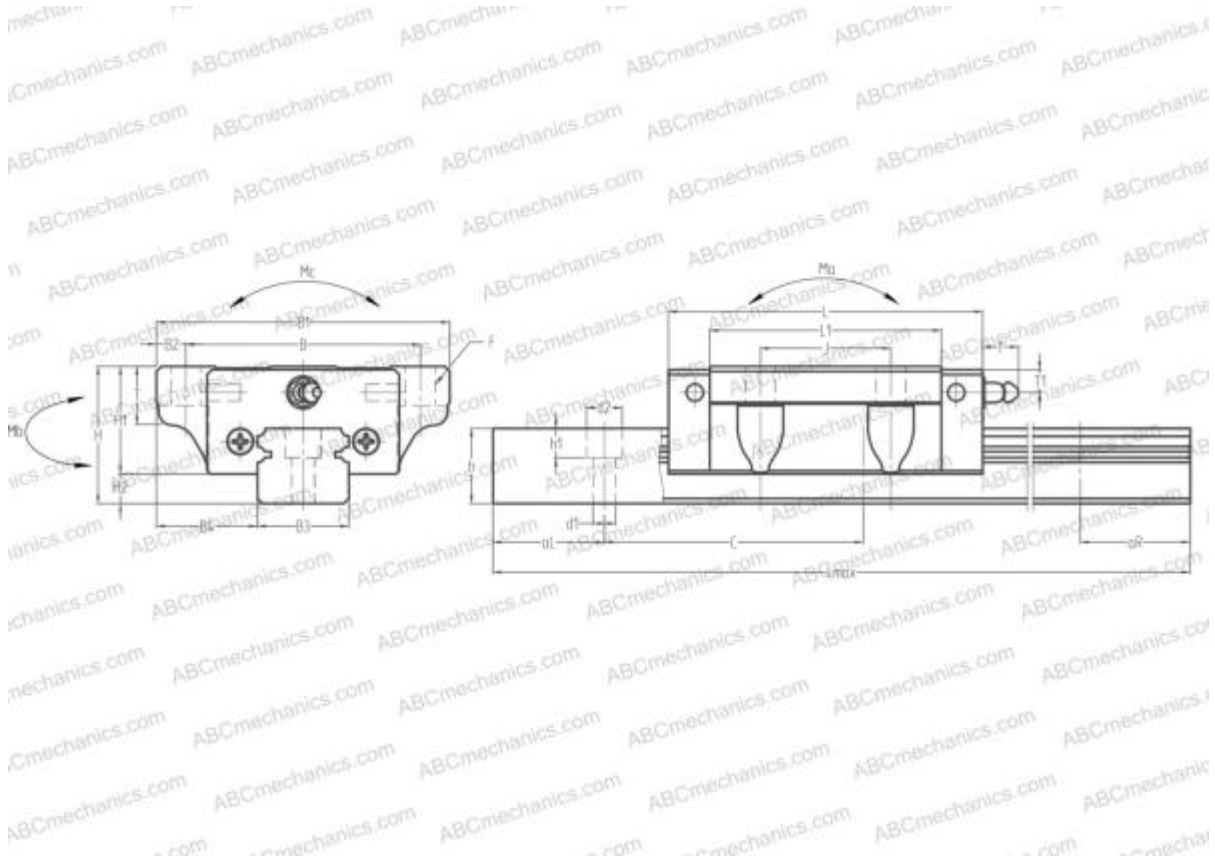


## LS20FL ABC

Linear guides

TYPE: Monorail guidance systems, Recirculating balls, High vertical load carrying capacity type, Self-aligning type, Flanged type, Low, Ball slide length - standard, Mounting bolt hole, Compact



### Technical specification

#### DIMENSIONS, MM

B1	59,000
H	28,000
L	65,200
B	49,000
J	32,000
L1	48,000
B2	5,000
B3	20,000
B4	19,500
H1	22,000
H2	6,000
T	10,000
T1	5,500
f	11,000
C	60,000

#### DIMENSIONS, MM

d1	6,000
d2	9,500
h	15,500
h1	8,500
L max	3960,000
aL	20,000
aR	20,000
F	5.5x9

#### WEIGHT

Slide weight	0,350
Rail weight	2,300

#### MANUFACTURER

[ABC](#)

#### INTERCHANGE

NSK	<a href="#">LS20FL</a>
THK	<a href="#">SR20TB</a>

**INTERCHANGE**

IKO	<a href="#">LWE20</a>
HIWIN	<a href="#">EGW20CB</a>
STAR	<a href="#">1693-8</a>
NB	<a href="#">SGL20TE</a>
THOMSON	<a href="#">AT 20G</a>