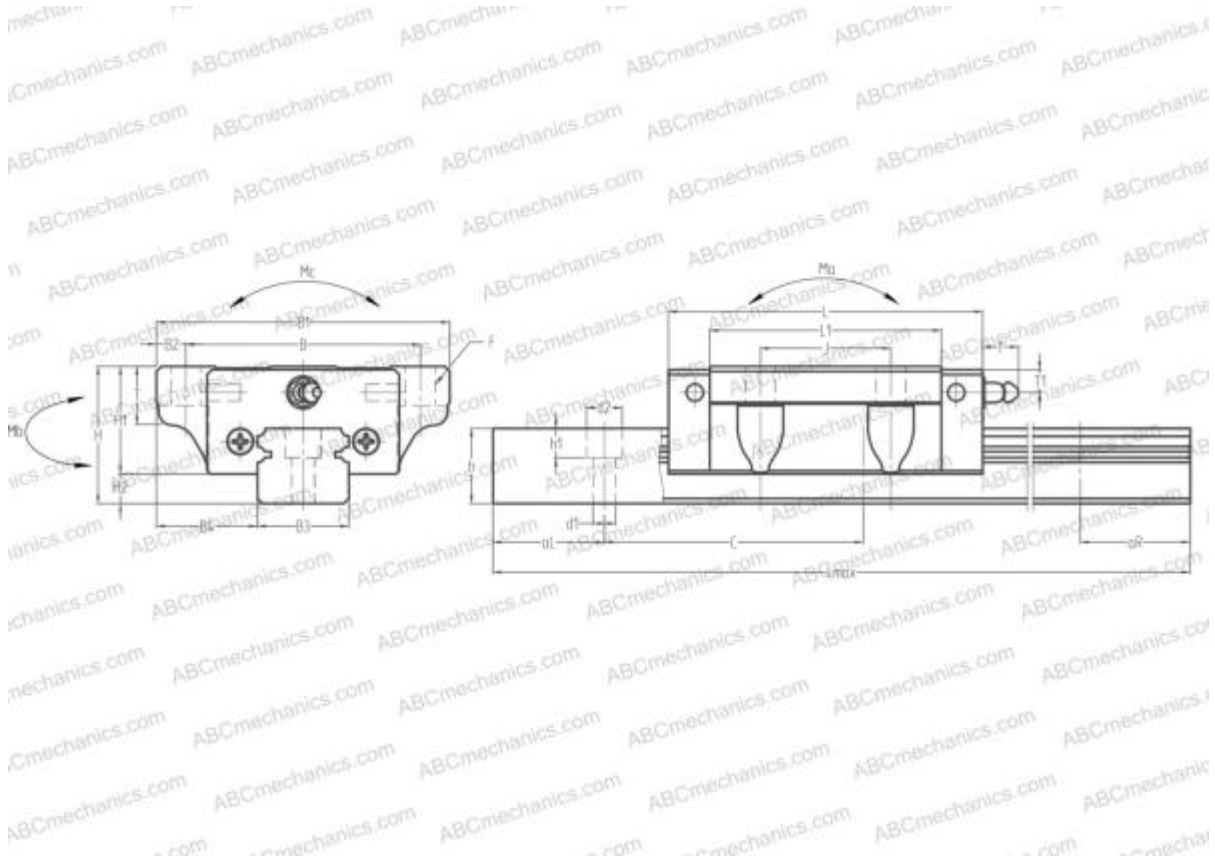


EGW20CB HIWIN

Linear guides

TYPE: Monorail guidance systems, Recirculating balls, High vertical load carrying capacity type, Self-aligning type, Flanged type, Low, Ball slide length - standard, Mounting bolt hole, Compact



Technical specification

DIMENSIONS, MM

| | |
|----|--------|
| B1 | 59,000 |
| H | 28,000 |
| L | 65,200 |
| B | 49,000 |
| J | 32,000 |
| L1 | 48,000 |
| B2 | 5,000 |
| B3 | 20,000 |
| B4 | 19,500 |
| H1 | 22,000 |
| H2 | 6,000 |
| T | 10,000 |
| T1 | 5,500 |
| f | 11,000 |
| C | 60,000 |

DIMENSIONS, MM

| | |
|-------|----------|
| d1 | 6,000 |
| d2 | 9,500 |
| h | 15,500 |
| h1 | 8,500 |
| L max | 3960,000 |
| aL | 20,000 |
| aR | 20,000 |
| F | 5.5x9 |

WEIGHT

| | |
|--------------|-------|
| Slide weight | 0,350 |
| Rail weight | 2,300 |

MANUFACTURER

[HIWIN](#)

INTERCHANGE

| | |
|-----|------------------------|
| ABC | LS20FL |
| NSK | LS20FL |

INTERCHANGE

| | |
|---------|-------------------------|
| THK | SR20TB |
| IKO | LWE20 |
| STAR | 1693-8 |
| NB | SGL20TE |
| THOMSON | AT 20G |