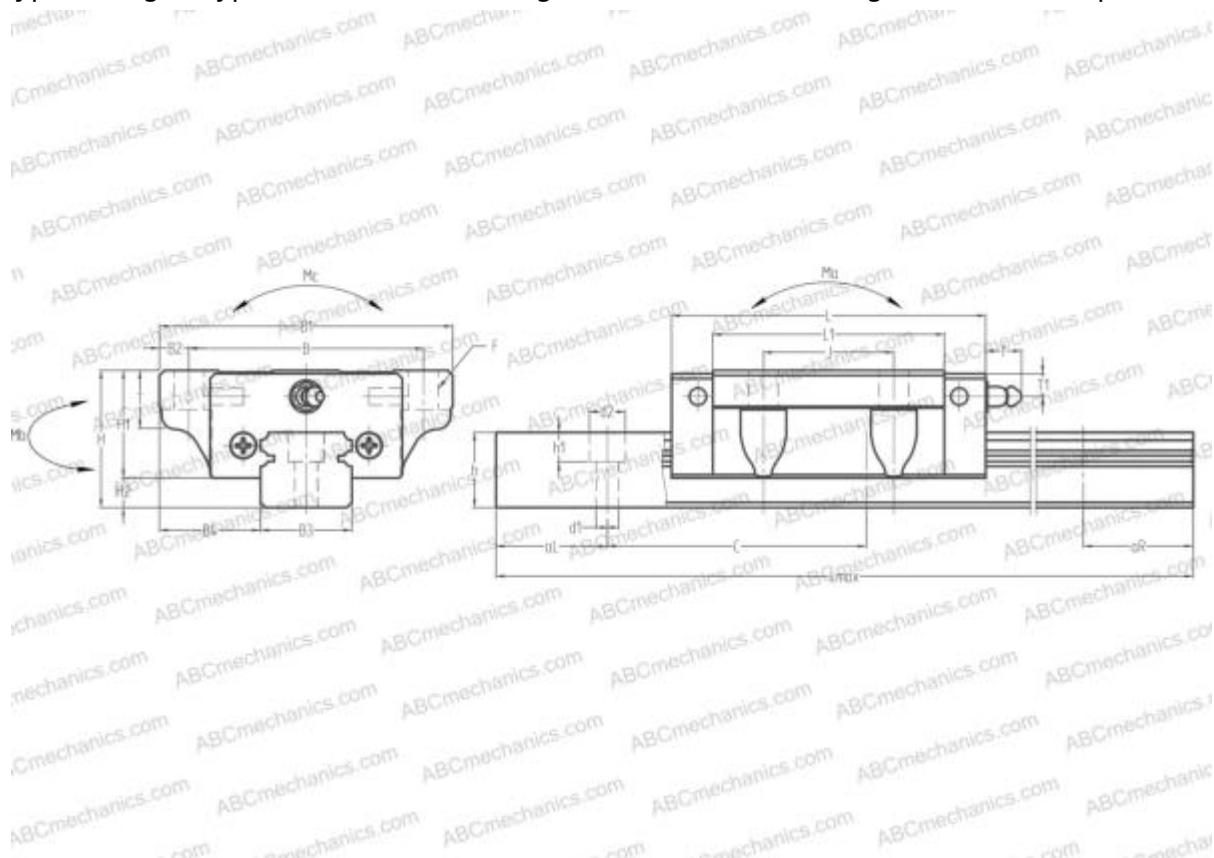


SGL20TE NB

Linear guides

TYPE: Monorail guidance systems, Recirculating balls, High vertical load carrying capacity type, Self-aligning type, Flanged type, Low, Ball slide length - standard, Mounting bolt hole, Compact



Technical specification

DIMENSIONS, MM

B1	59,000
H	28,000
L	65,200
B	49,000
J	32,000
L1	48,000
B2	5,000
B3	20,000
B4	19,500
H1	22,000
H2	6,000
T	10,000
T1	5,500
f	11,000
C	60,000

DIMENSIONS, MM

d1	6,000
d2	9,500
h	15,500
h1	8,500
L max	3960,000
aL	20,000
aR	20,000
F	5.5x9

WEIGHT

Slide weight	0,350
Rail weight	2,300

MANUFACTURER

[NB](#)

INTERCHANGE

ABC	LS20FL
NSK	LS20FL



INTERCHANGE

THK	SR20TB
IKO	LWE20
HIWIN	EGW20CB
STAR	1693-8
THOMSON	AT 20G

