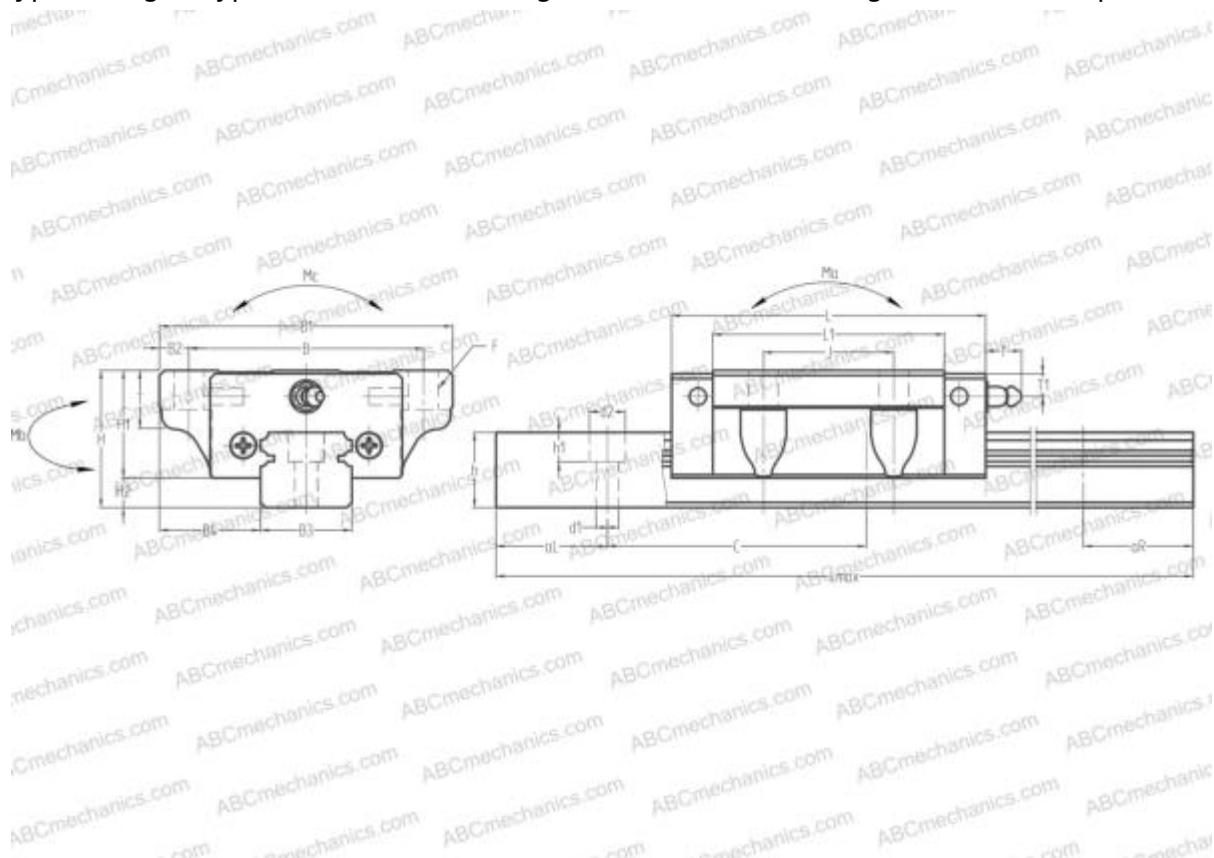


## LS25FL NSK

Linear guides

TYPE: Monorail guidance systems, Recirculating balls, High vertical load carrying capacity type, Self-aligning type, Flanged type, Low, Ball slide length - standard, Mounting bolt hole, Compact



### Technical specification

#### DIMENSIONS, MM

B1	73,000
H	33,000
L	81,600
B	60,000
J	35,000
L1	60,000
B2	6,500
B3	23,000
B4	25,000
H1	26,000
H2	7,000
T	11,000
T1	7,000
f	11,000
C	60,000

#### DIMENSIONS, MM

d1	7,000
d2	11,000
h	18,000
h1	9,000
L max	3960,000
aL	20,000
aR	20,000
F	7x10

#### WEIGHT

Slide weight	0,660
Rail weight	3,100

#### MANUFACTURER

[NSK](#)

#### INTERCHANGE

ABC	<a href="#">LS25FL</a>
THK	<a href="#">SR25TBY</a>

## INTERCHANGE

IKO	<a href="#">LWE25</a>
HIWIN	<a href="#">EGW25CB</a>
STAR	<a href="#">1693-2</a>
NB	<a href="#">SGL25TE</a>
THOMSON	<a href="#">AT 25G</a>

## CALCULATION DATA

Basic dynamic load rating, C	14,400 kN
Basic static load rating, Co	29,100 kN
Static permissible moment, Ma	0,206 kN-m
Static permissible moment, Mb	0,196 kN-m
Static permissible moment, Mc	0,245 kN-m

## INCLUDED PRODUCTS

LAS25FL