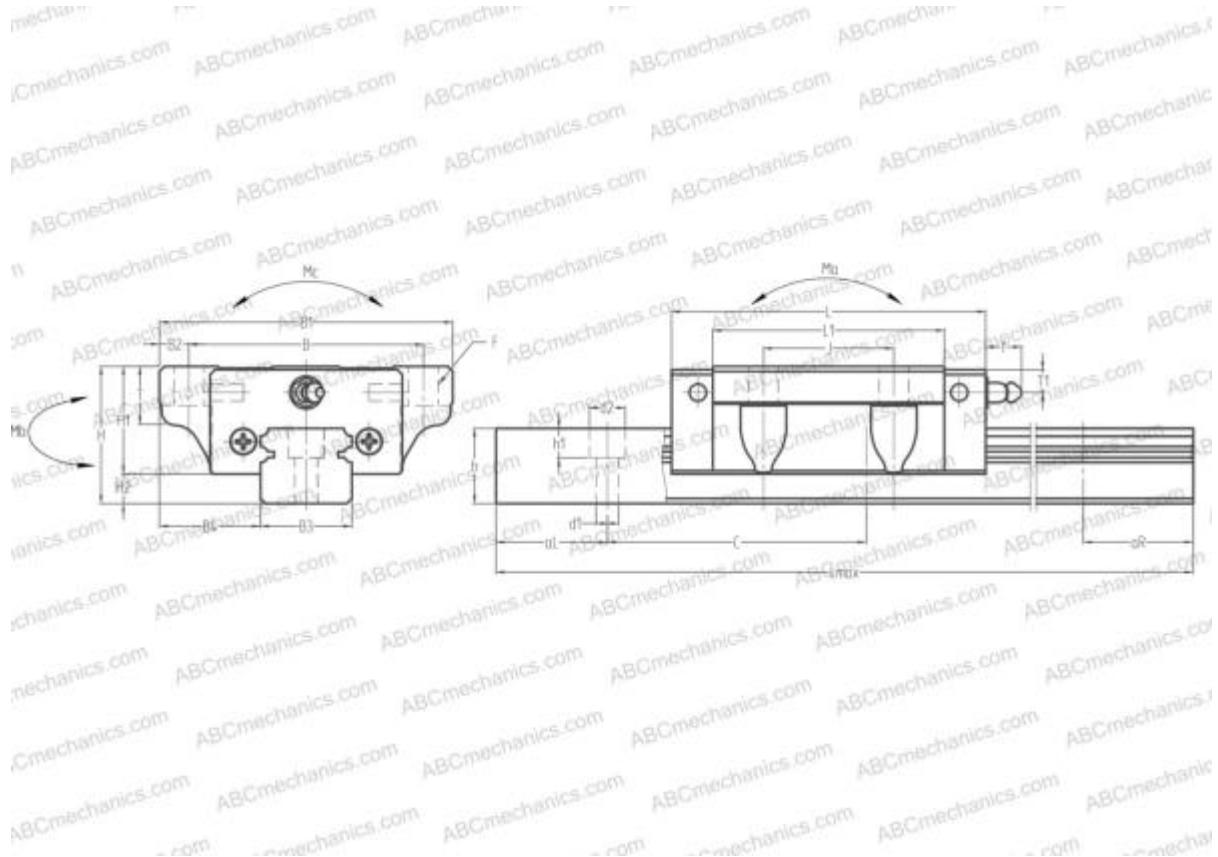


AT 25G THOMSON

Linear guides

TYPE: Monorail guidance systems, Recirculating balls, High vertical load carrying capacity type, Self-aligning type, Flanged type, Low, Ball slide length - standard, Mounting bolt hole, Compact



Technical specification

DIMENSIONS, MM

B1	73,000
H	33,000
L	81,600
B	60,000
J	35,000
L1	60,000
B2	6,500
B3	23,000
B4	25,000
H1	26,000
H2	7,000
T	11,000
T1	7,000
f	11,000
C	60,000

DIMENSIONS, MM

d1	7,000
d2	11,000
h	18,000
h1	9,000
L max	3960,000
aL	20,000
aR	20,000
F	7x10

WEIGHT

Slide weight	0,660
Rail weight	3,100

MANUFACTURER

[THOMSON](#)

INTERCHANGE

ABC	LS25FL
NSK	LS25FL

INTERCHANGE

THK	SR25TBY
IKO	LWE25
HIWIN	EGW25CB
STAR	1693-2
NB	SGL25TE