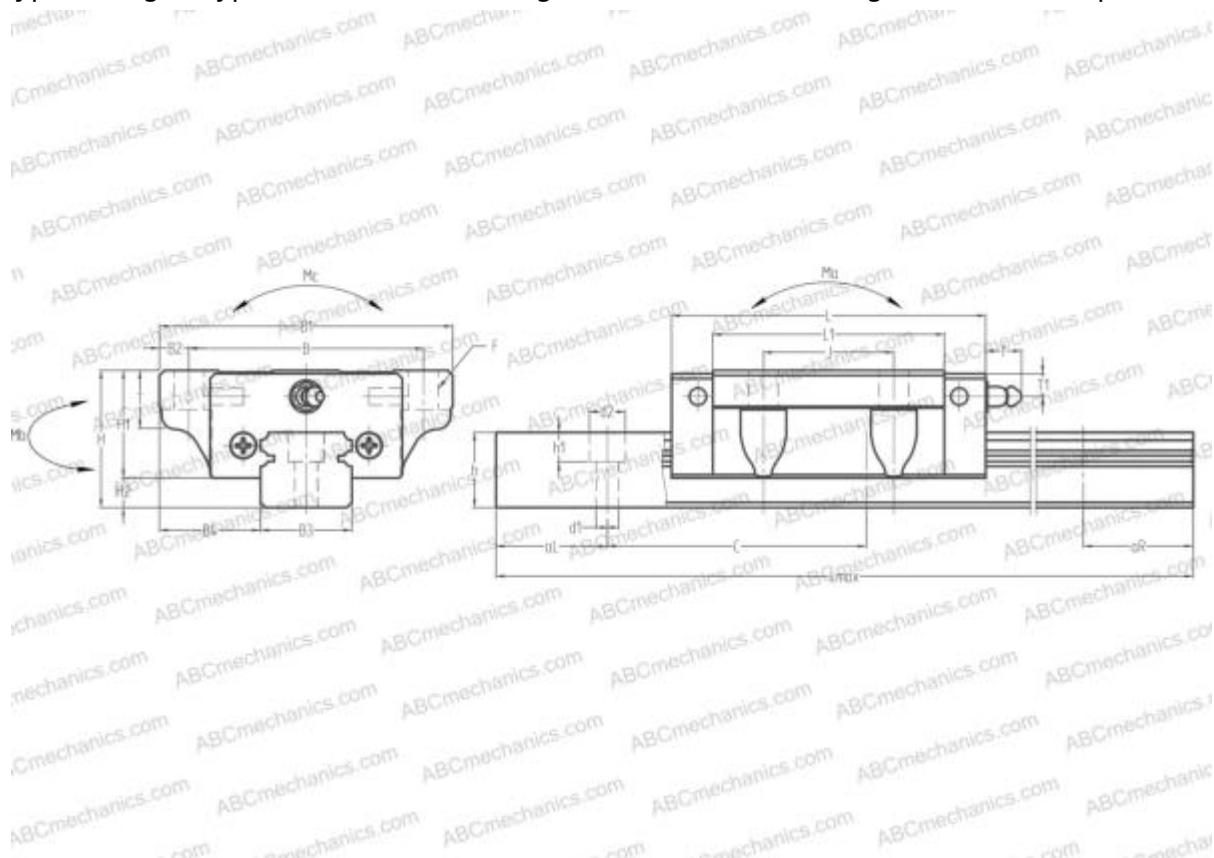


## SGL30TE NB

Linear guides

TYPE: Monorail guidance systems, Recirculating balls, High vertical load carrying capacity type, Self-aligning type, Flanged type, Low, Ball slide length - standard, Mounting bolt hole, Compact



### Technical specification

#### DIMENSIONS, MM

B1	90,000
H	42,000
L	96,400
B	72,000
J	40,000
L1	71,000
B2	9,000
B3	28,000
B4	31,000
H1	33,000
H2	9,000
T	11,000
T1	8,000
f	11,000
C	80,000

#### DIMENSIONS, MM

d1	7,000
d2	11,000
h	23,000
h1	9,000
L max	4000,000
aL	20,000
aR	20,000
F	9x12

#### WEIGHT

Slide weight	1,200
Rail weight	4,800

#### MANUFACTURER

[NB](#)

#### INTERCHANGE

ABC	<a href="#">LS30FL</a>
NSK	<a href="#">LS30FL</a>

**INTERCHANGE**

THK	<a href="#">SR30TB</a>
IKO	<a href="#">LWE30</a>
HIWIN	<a href="#">EGW30CB</a>
THOMSON	<a href="#">AT 30G</a>