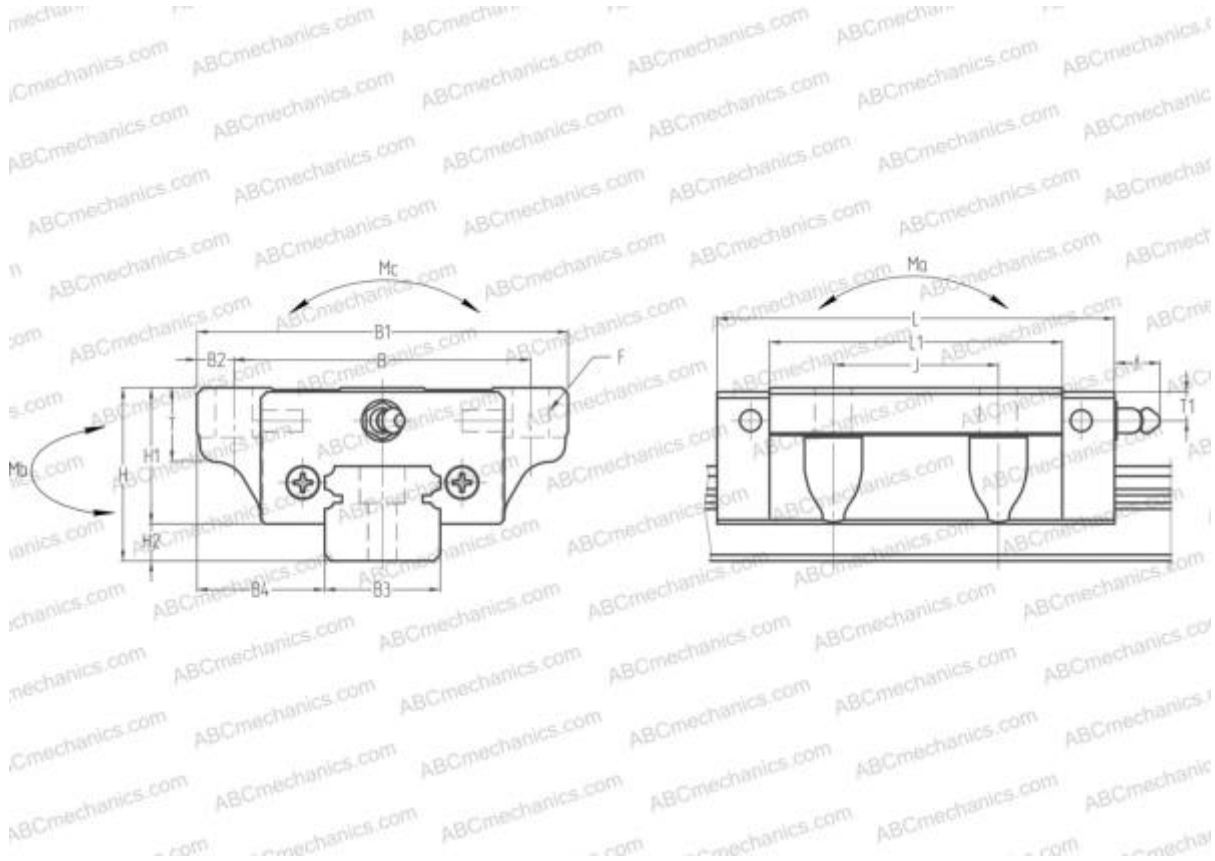


## LAS35FL NSK

Linear guides

TYPE: Monorail guidance systems, Recirculating balls, High vertical load carrying capacity type, Self-aligning type, Flanged type, Low, Ball slide length - standard, Mounting bolt hole, Compact, Interchangeable part



### Technical specification

#### DIMENSIONS, MM

|    |         |
|----|---------|
| B1 | 100,000 |
| H  | 48,000  |
| L  | 108,000 |
| B  | 82,000  |
| J  | 50,000  |
| L1 | 80,000  |
| B2 | 9,000   |
| B3 | 34,000  |
| B4 | 33,000  |
| H1 | 37,500  |
| H2 | 10,500  |
| T  | 12,000  |
| T1 | 8,500   |
| f  | 11,000  |
| F  | 9x13    |

#### SLIDE WEIGHT

1,700

#### MANUFACTURER

[NSK](#)

#### CALCULATION DATA

|                               |            |
|-------------------------------|------------|
| Basic dynamic load rating, C  | 32,500 kN  |
| Basic static load rating, Co  | 58,500 kN  |
| Static permissible moment, Ma | 0,570 kN-m |
| Static permissible moment, Mb | 0,560 kN-m |
| Static permissible moment, Mc | 0,775 kN-m |