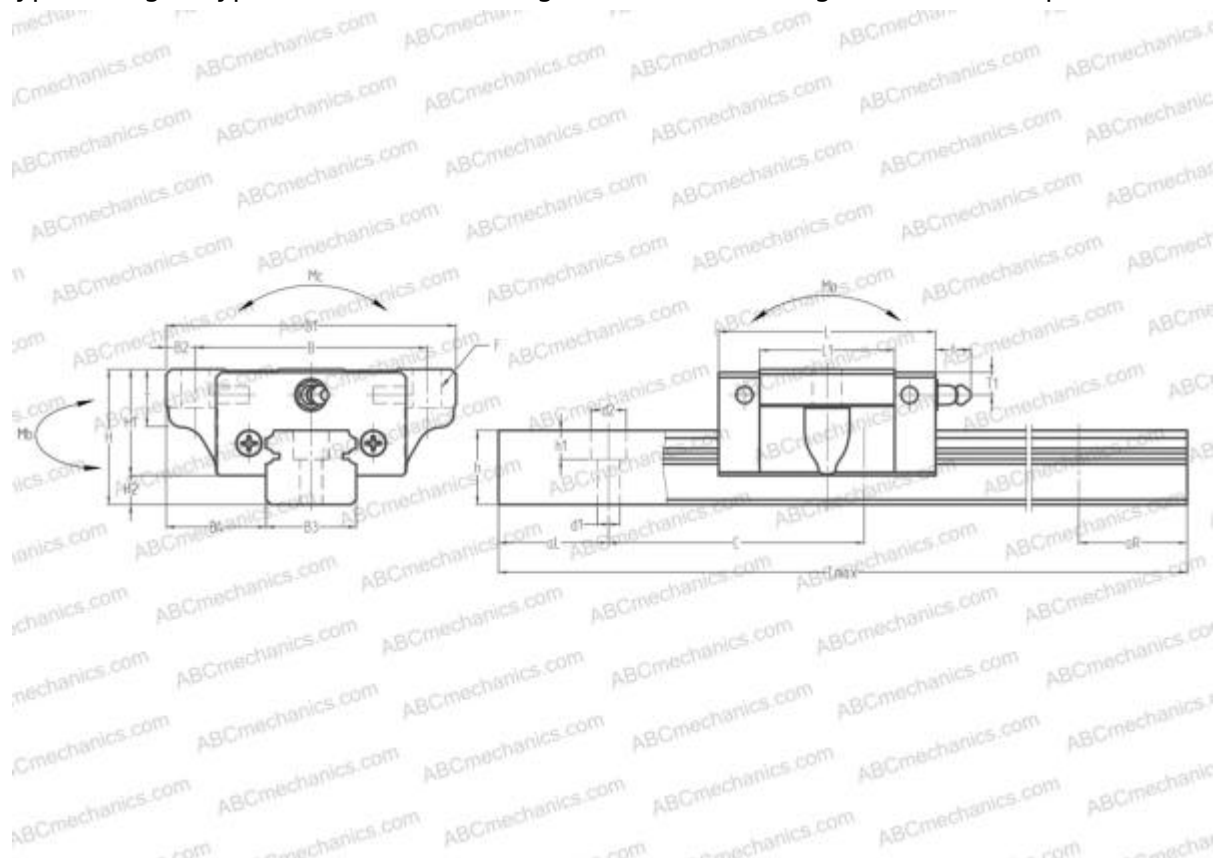


## LS20KL ABC

Linear guides

TYPE: Monorail guidance systems, Recirculating balls, High vertical load carrying capacity type, Self-aligning type, Flanged type, Low, Ball slide length - short, Mounting bolt hole, Compact



### Technical specification

#### DIMENSIONS, MM

B1	59,000
H	28,000
L	47,200
B	49,000
L1	30,000
B2	5,000
B3	20,000
B4	19,500
H1	22,000
H2	6,000
T	10,000
T1	5,500
f	11,000
C	60,000
d1	6,000

#### DIMENSIONS, MM

d2	9,500
h	15,500
h1	8,500
L max	3960,000
aL	20,000
aR	20,000
F	5.5x9

#### WEIGHT

Slide weight	0,240
Rail weight	2,300

#### MANUFACTURER

[ABC](#)

#### INTERCHANGE

NSK	<a href="#">LS20KL</a>
THK	<a href="#">SR20SB</a>
IKO	<a href="#">LWEC20</a>

**INTERCHANGE**

HIWIN	<a href="#">EGW20SB</a>
STAR	<a href="#">1663-8</a>
NB	<a href="#">SGL20E</a>