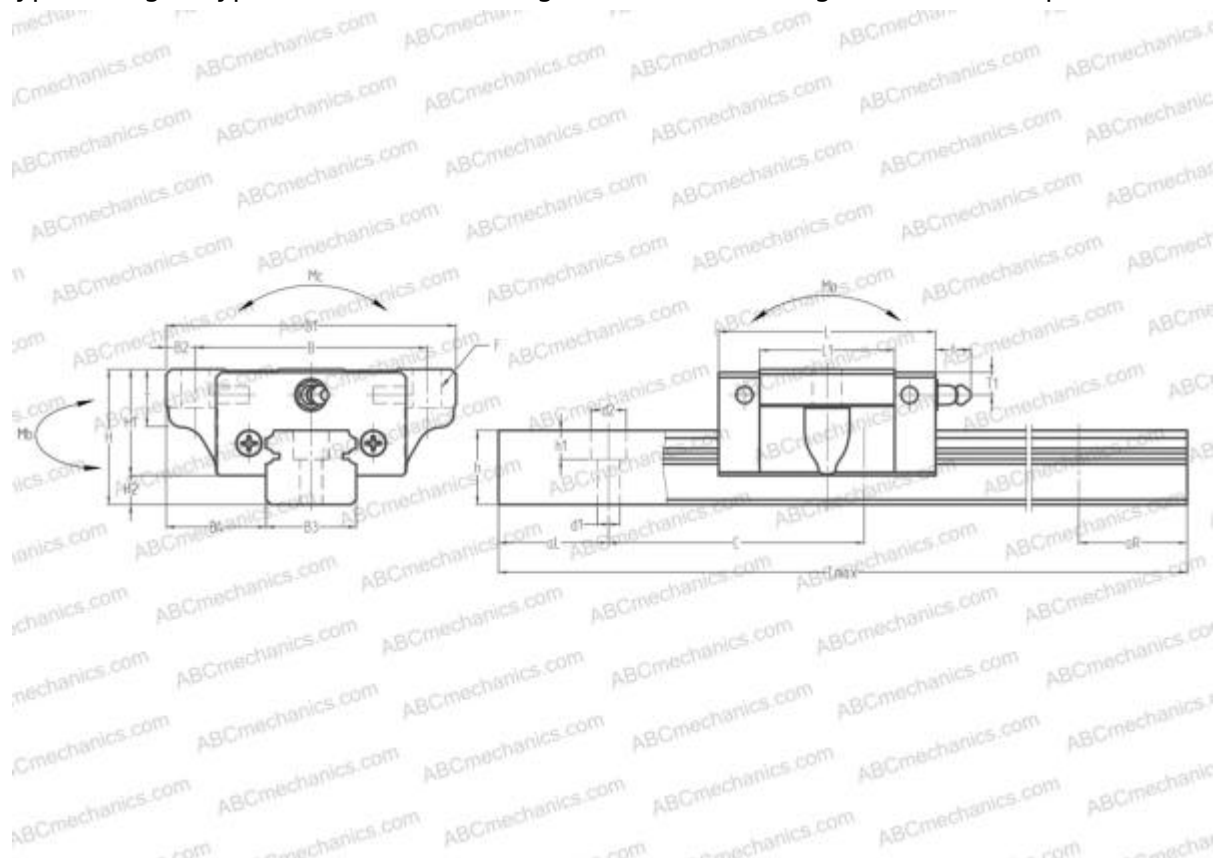


SR25SBY THK

Linear guides

TYPE: Monorail guidance systems, Recirculating balls, High vertical load carrying capacity type, Self-aligning type, Flanged type, Low, Ball slide length - short, Mounting bolt hole, Compact



Technical specification

DIMENSIONS, MM

B1	73,000
H	33,000
L	59,600
B	60,000
L1	38,000
B2	6,500
B3	23,000
B4	25,000
H1	26,000
H2	7,000
T	11,000
T1	7,000
f	11,000
C	60,000
d1	7,000

DIMENSIONS, MM

d2	11,000
h	18,000
h1	9,000
L max	3960,000
aL	20,000
aR	20,000
F	7x10

WEIGHT

Slide weight	0,440
Rail weight	3,100

MANUFACTURER

[THK](#)

INTERCHANGE

ABC	LS25KL
NSK	LS25KL
IKO	LWEC25



INTERCHANGE

HIWIN	EGW25SB
STAR	1663-2
NB	SGL25B

