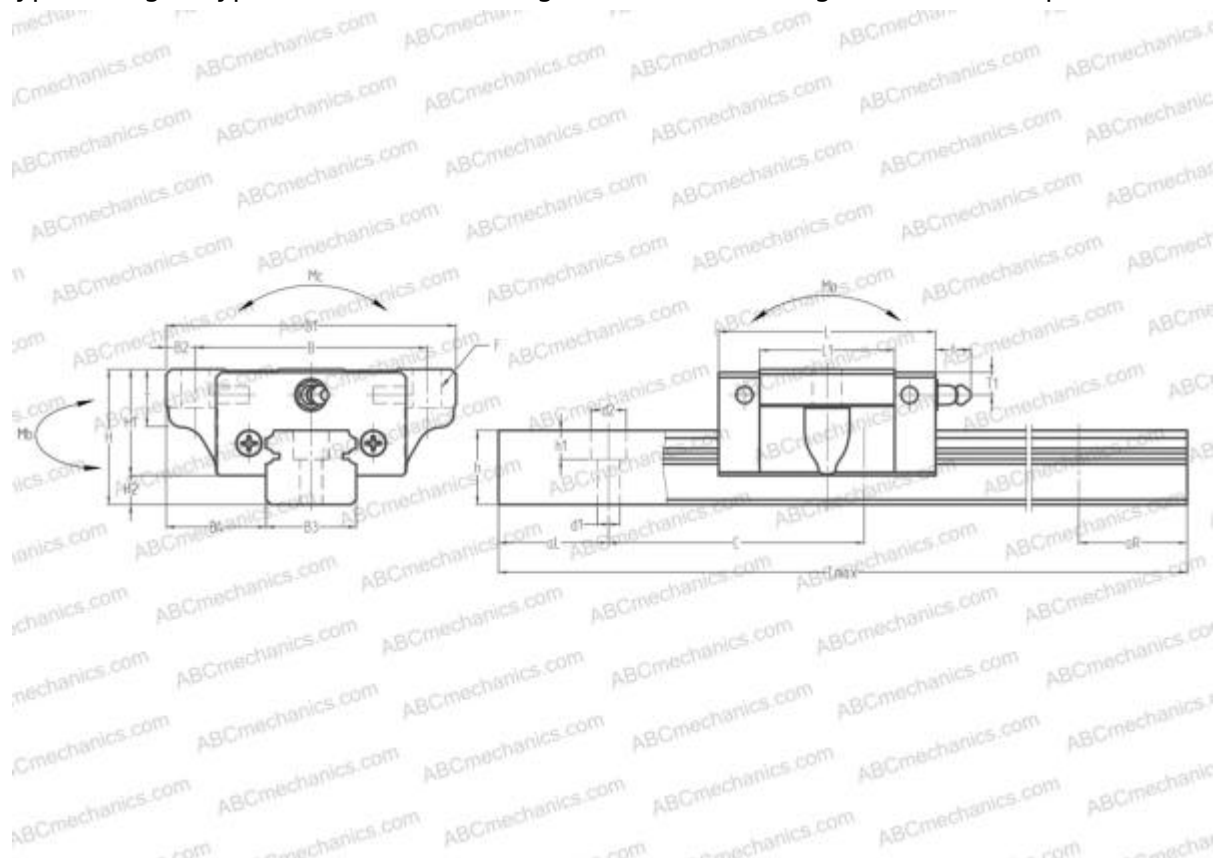


## SGL25B NB

Linear guides

TYPE: Monorail guidance systems, Recirculating balls, High vertical load carrying capacity type, Self-aligning type, Flanged type, Low, Ball slide length - short, Mounting bolt hole, Compact



### Technical specification

#### DIMENSIONS, MM

B1	73,000
H	33,000
L	59,600
B	60,000
L1	38,000
B2	6,500
B3	23,000
B4	25,000
H1	26,000
H2	7,000
T	11,000
T1	7,000
f	11,000
C	60,000
d1	7,000

#### DIMENSIONS, MM

d2	11,000
h	18,000
h1	9,000
L max	3960,000
aL	20,000
aR	20,000
F	7x10

#### WEIGHT

Slide weight	0,440
Rail weight	3,100

#### MANUFACTURER

[NB](#)

#### INTERCHANGE

ABC	<a href="#">LS25KL</a>
NSK	<a href="#">LS25KL</a>
THK	<a href="#">SR25SBY</a>



## INTERCHANGE

IKO	<a href="#">LWEC25</a>
HIWIN	<a href="#">EGW25SB</a>
STAR	<a href="#">1663-2</a>

