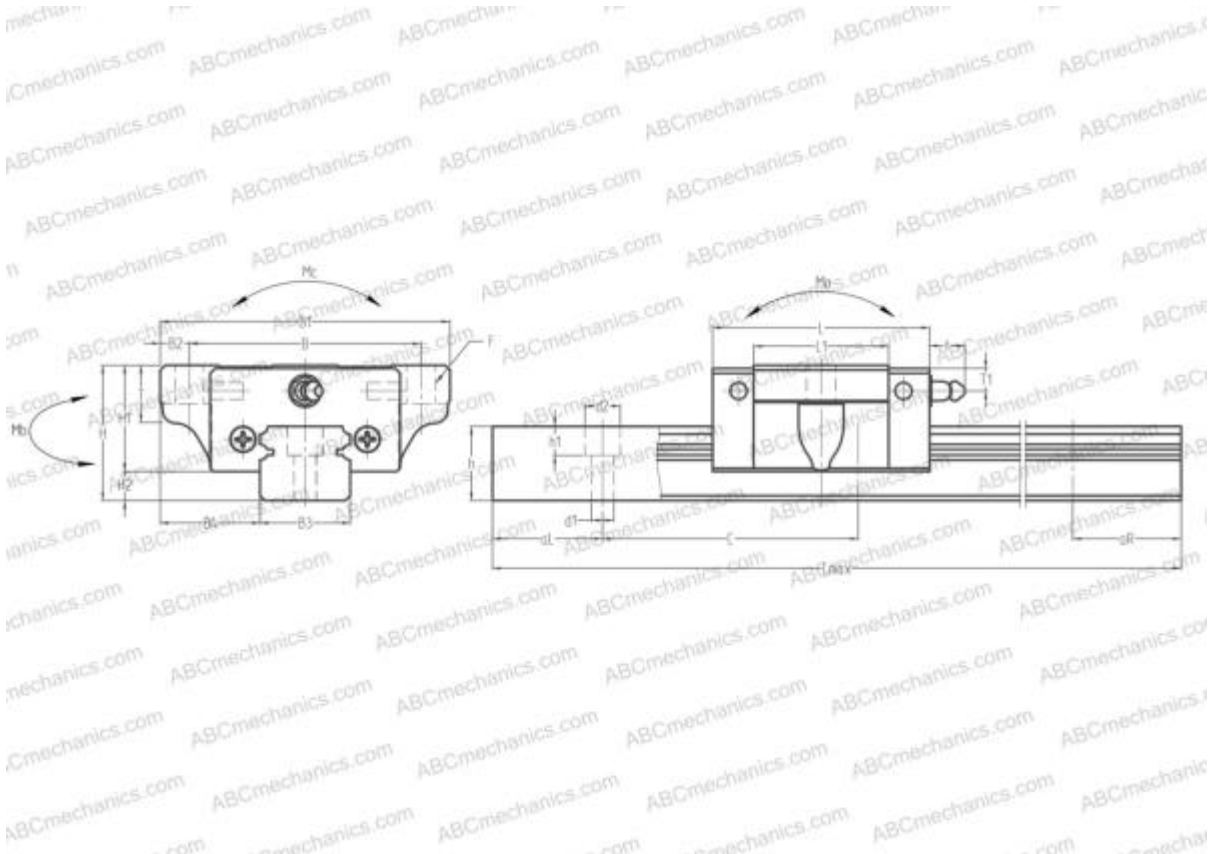


## LS30KL NSK

Linear guides

TYPE: Monorail guidance systems, Recirculating balls, High vertical load carrying capacity type, Self-aligning type, Flanged type, Low, Ball slide length - short, Mounting bolt hole, Compact



### Technical specification

#### DIMENSIONS, MM

B1	90,000
H	42,000
L	67,400
B	72,000
L1	42,000
B2	9,000
B3	28,000
B4	31,000
H1	33,000
H2	9,000
T	11,000
T1	8,000
f	11,000
C	80,000
d1	7,000

#### DIMENSIONS, MM

d2	11,000
h	23,000
h1	9,000
L max	4000,000
aL	20,000
aR	20,000
F	9x12

#### WEIGHT

Slide weight	0,760
Rail weight	4,800

#### MANUFACTURER

[NSK](#)

#### INTERCHANGE

ABC	<a href="#">LS30KL</a>
THK	<a href="#">SR30SB</a>
IKO	<a href="#">LWEC30</a>

## INTERCHANGE

HIWIN	<a href="#">EGW30SB</a>
NB	<a href="#">SGL30E</a>

## CALCULATION DATA

Basic dynamic load rating, C	15,900 kN
Basic static load rating, Co	26,500 kN
Static permissible moment, Ma	0,108 kN-m
Static permissible moment, Mb	0,108 kN-m
Static permissible moment, Mc	0,245 kN-m

## INCLUDED PRODUCTS

LAS30KL