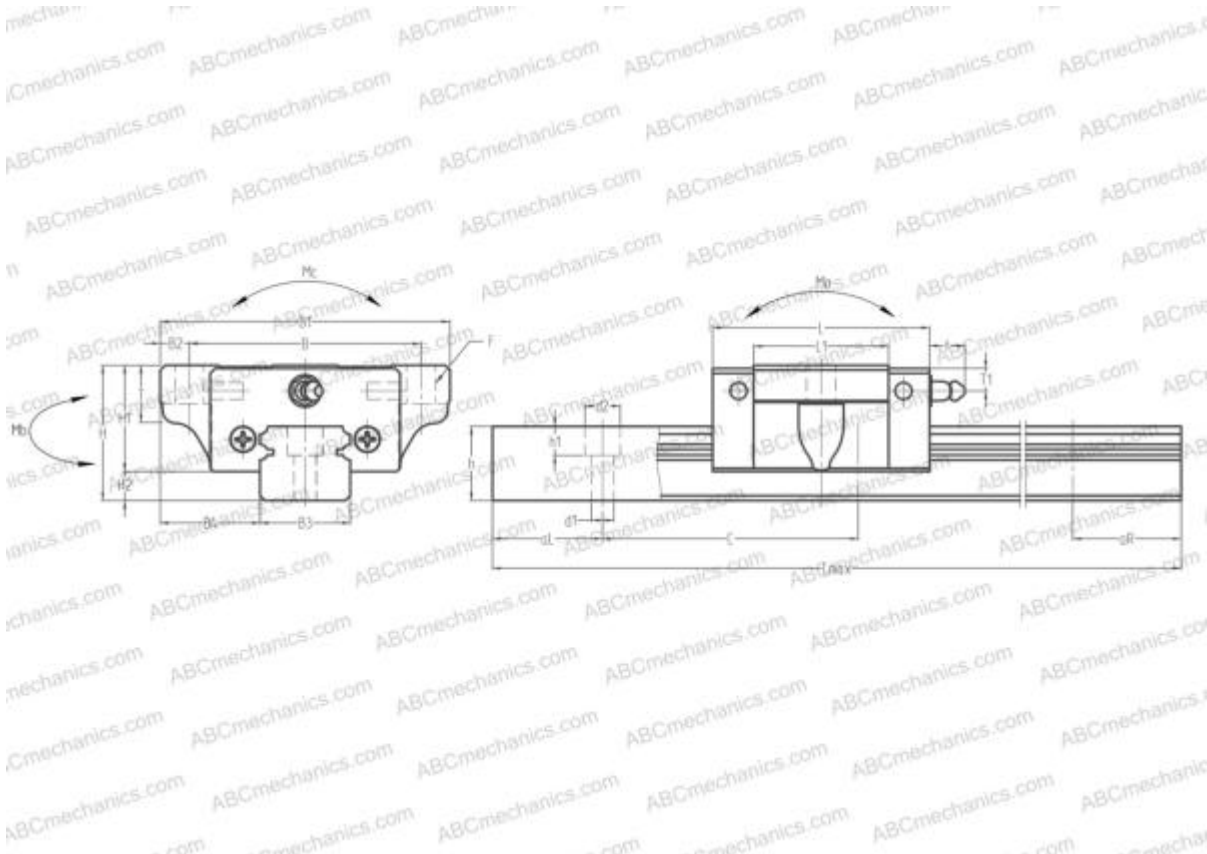


## SR35SB THK

Linear guides

TYPE: Monorail guidance systems, Recirculating balls, High vertical load carrying capacity type, Self-aligning type, Flanged type, Low, Ball slide length - short, Mounting bolt hole, Compact



### Technical specification

#### DIMENSIONS, MM

B1	100,000
H	48,000
L	77,000
B	82,000
L1	49,000
B2	9,000
B3	34,000
B4	33,000
H1	37,500
H2	10,500
T	12,000
T1	8,500
f	11,000
C	80,000
d1	9,000

#### DIMENSIONS, MM

d2	14,000
h	27,500
h1	12,000
L max	4000,000
aL	20,000
aR	20,000
F	9x13

#### WEIGHT

Slide weight	1,200
Rail weight	7,000

#### MANUFACTURER

[THK](#)

#### INTERCHANGE

ABC	<a href="#">LS35KL</a>
NSK	<a href="#">LS35KL</a>
IKO	<a href="#">LWEC35</a>



**INTERCHANGE**

HIWIN	<a href="#">EGW35SB</a>
STAR	<a href="#">1665-3</a>

