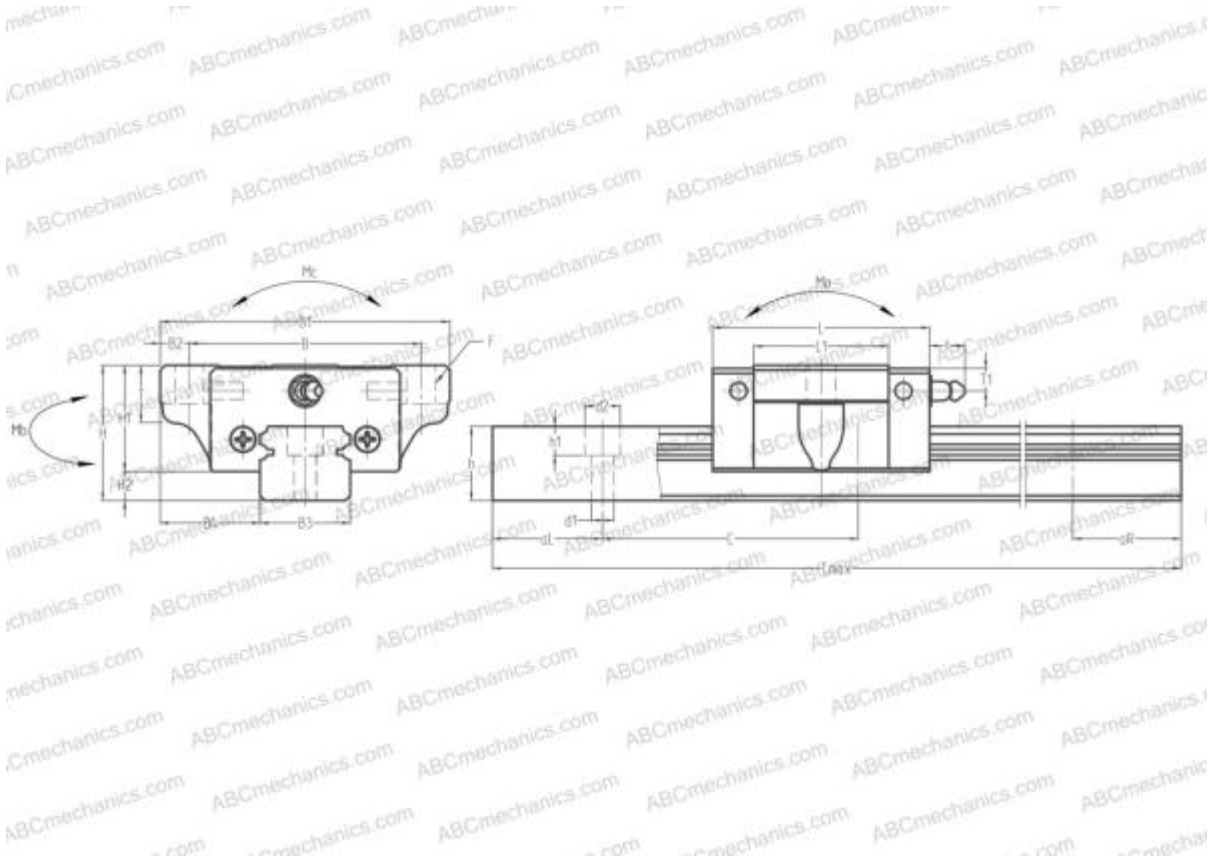


EGW35SB HIWIN

Linear guides

TYPE: Monorail guidance systems, Recirculating balls, High vertical load carrying capacity type, Self-aligning type, Flanged type, Low, Ball slide length - short, Mounting bolt hole, Compact



Technical specification

DIMENSIONS, MM

| | |
|----|---------|
| B1 | 100,000 |
| H | 48,000 |
| L | 77,000 |
| B | 82,000 |
| L1 | 49,000 |
| B2 | 9,000 |
| B3 | 34,000 |
| B4 | 33,000 |
| H1 | 37,500 |
| H2 | 10,500 |
| T | 12,000 |
| T1 | 8,500 |
| f | 11,000 |
| C | 80,000 |
| d1 | 9,000 |

DIMENSIONS, MM

| | |
|-------|----------|
| d2 | 14,000 |
| h | 27,500 |
| h1 | 12,000 |
| L max | 4000,000 |
| aL | 20,000 |
| aR | 20,000 |
| F | 9x13 |

WEIGHT

| | |
|--------------|-------|
| Slide weight | 1,200 |
| Rail weight | 7,000 |

MANUFACTURER

[HIWIN](#)

INTERCHANGE

| | |
|-----|------------------------|
| ABC | LS35KL |
| NSK | LS35KL |
| THK | SR35SB |



INTERCHANGE

| | |
|------|------------------------|
| IKO | LWEC35 |
| STAR | 1665-3 |

