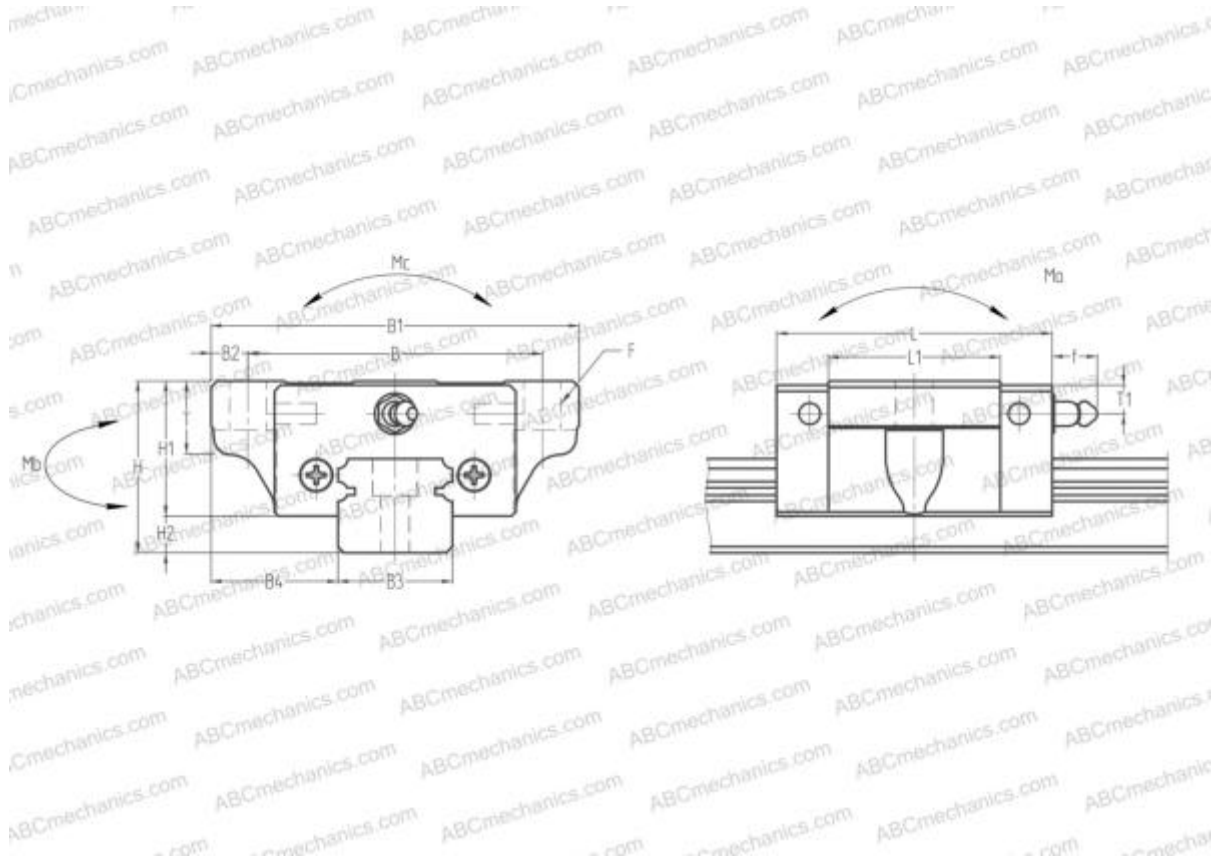


## LAS20KL NSK

Linear guides

TYPE: Monorail guidance systems, Recirculating balls, High vertical load carrying capacity type, Self-aligning type, Flanged type, Low, Ball slide length - short, Mounting bolt hole, Compact, Interchangeable part



### Technical specification

#### DIMENSIONS, MM

B1	59,000
H	28,000
L	47,200
B	49,000
L1	30,000
B2	5,000
B3	20,000
B4	19,500
H1	22,000
H2	6,000
T	10,000
T1	5,500
f	11,000
F	5.5x9

#### SLIDE WEIGHT

0,240

#### MANUFACTURER

[NSK](#)

#### CALCULATION DATA

Basic dynamic load rating, C	6,550 kN
Basic static load rating, Co	12,200 kN
Static permissible moment, Ma	0,039 kN-m
Static permissible moment, Mb	0,039 kN-m
Static permissible moment, Mc	0,088 kN-m