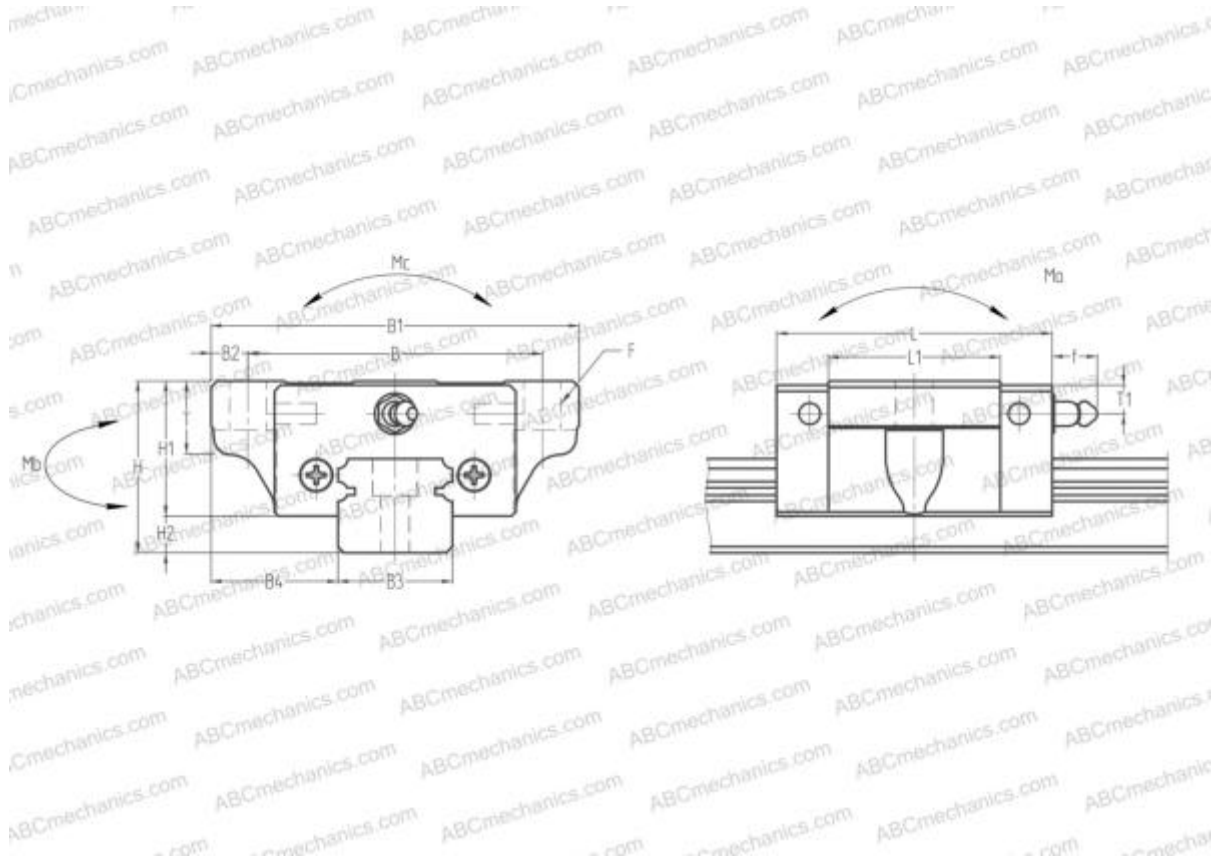


LAS35KL NSK

Linear guides

TYPE: Monorail guidance systems, Recirculating balls, High vertical load carrying capacity type, Self-aligning type, Flanged type, Low, Ball slide length - short, Mounting bolt hole, Compact, Interchangeable part



Technical specification

DIMENSIONS, MM

| | |
|----|---------|
| B1 | 100,000 |
| H | 48,000 |
| L | 77,000 |
| B | 82,000 |
| L1 | 49,000 |
| B2 | 9,000 |
| B3 | 34,000 |
| B4 | 33,000 |
| H1 | 37,500 |
| H2 | 10,500 |
| T | 12,000 |
| T1 | 8,500 |
| f | 11,000 |
| F | 9x13 |

SLIDE WEIGHT

1,200

MANUFACTURER

[NSK](#)

CALCULATION DATA

| | |
|-------------------------------|------------|
| Basic dynamic load rating, C | 22,100 kN |
| Basic static load rating, Co | 36,000 kN |
| Static permissible moment, Ma | 0,177 kN-m |
| Static permissible moment, Mb | 0,177 kN-m |
| Static permissible moment, Mc | 0,410 kN-m |