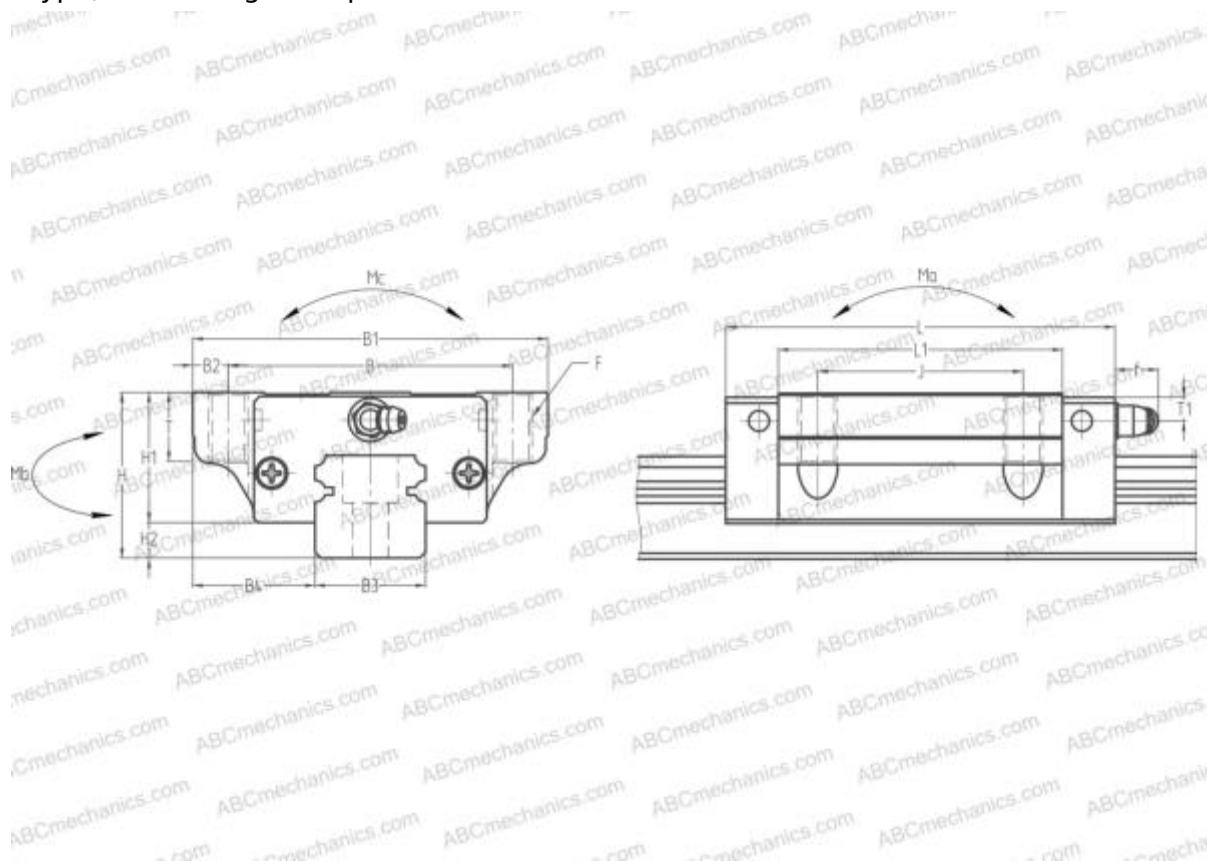


SAH15EL NSK

Linear guides

TYPE: Monorail guidance systems, Recirculating balls, High vertical load carrying capacity type, Self-aligning type, Flanged type, Low, Ball slide length - standard, Mounting tap, Low noise, smooth operation type, Interchangeable part



Technical specification

DIMENSIONS, MM

B1	47,000
H	24,000
L	55,000
B	38,000
J	30,000
L1	39,000
D2	7,500
B2	4,500
B3	15,000
B4	16,000
H1	19,400
H2	4,600
T	8,000
T1	4,500
f	3,300

DIMENSIONS, MM

F	M5X0.8X8
---	----------

SLIDE WEIGHT 0,170

MANUFACTURER [NSK](http://www.nsk.com)

CALCULATION DATA

Basic dynamic load rating, C	7,800 kN
Basic static load rating, Co	14,700 kN
Static permissible moment, Ma	0,065 kN-m
Static permissible moment, Mb	0,065 kN-m
Static permissible moment, Mc	0,089 kN-m