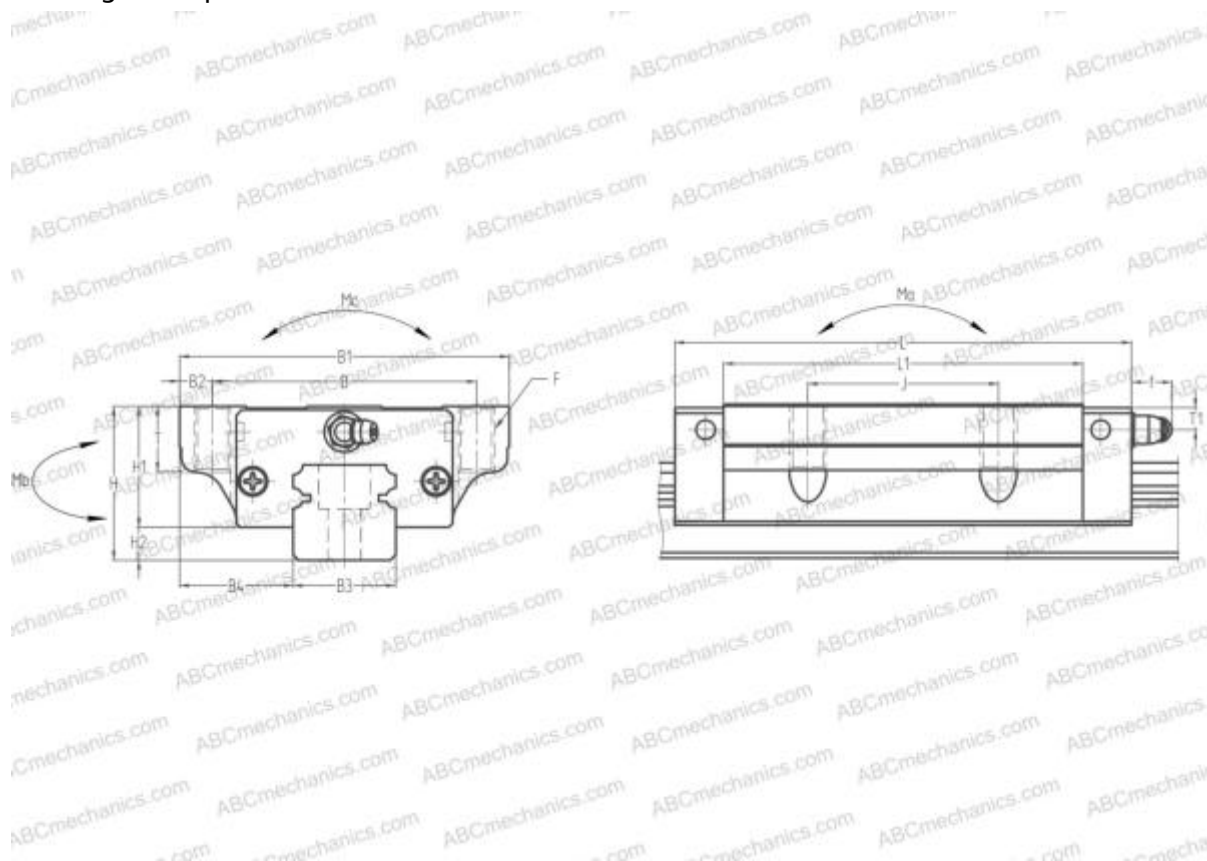


## SAH20GL NSK

Linear guides

TYPE: Monorail guidance systems, Recirculating balls, High vertical load carrying capacity type, Self-aligning type, Flanged type, Low, Ball slide length - long, Mounting tap, Low noise, smooth operation type, Interchangeable part



### Technical specification

#### DIMENSIONS, MM

|    |        |
|----|--------|
| B1 | 63,000 |
| H  | 30,000 |
| L  | 91,800 |
| B  | 53,000 |
| J  | 40,000 |
| L1 | 72,000 |
| D2 | 10,000 |
| B2 | 5,000  |
| B3 | 20,000 |
| B4 | 21,500 |
| H1 | 25,000 |
| H2 | 5,000  |
| T  | 10,000 |
| T1 | 5,000  |
| f  | 11,000 |

#### DIMENSIONS, MM

|   |         |
|---|---------|
| F | M6x1x10 |
|---|---------|

**SLIDE WEIGHT** 0,650

**MANUFACTURER** [NSK](#)

#### CALCULATION DATA

|                               |            |
|-------------------------------|------------|
| Basic dynamic load rating, C  | 17,500 kN  |
| Basic static load rating, Co  | 37,000 kN  |
| Static permissible moment, Ma | 0,323 kN-m |
| Static permissible moment, Mb | 0,323 kN-m |
| Static permissible moment, Mc | 0,284 kN-m |