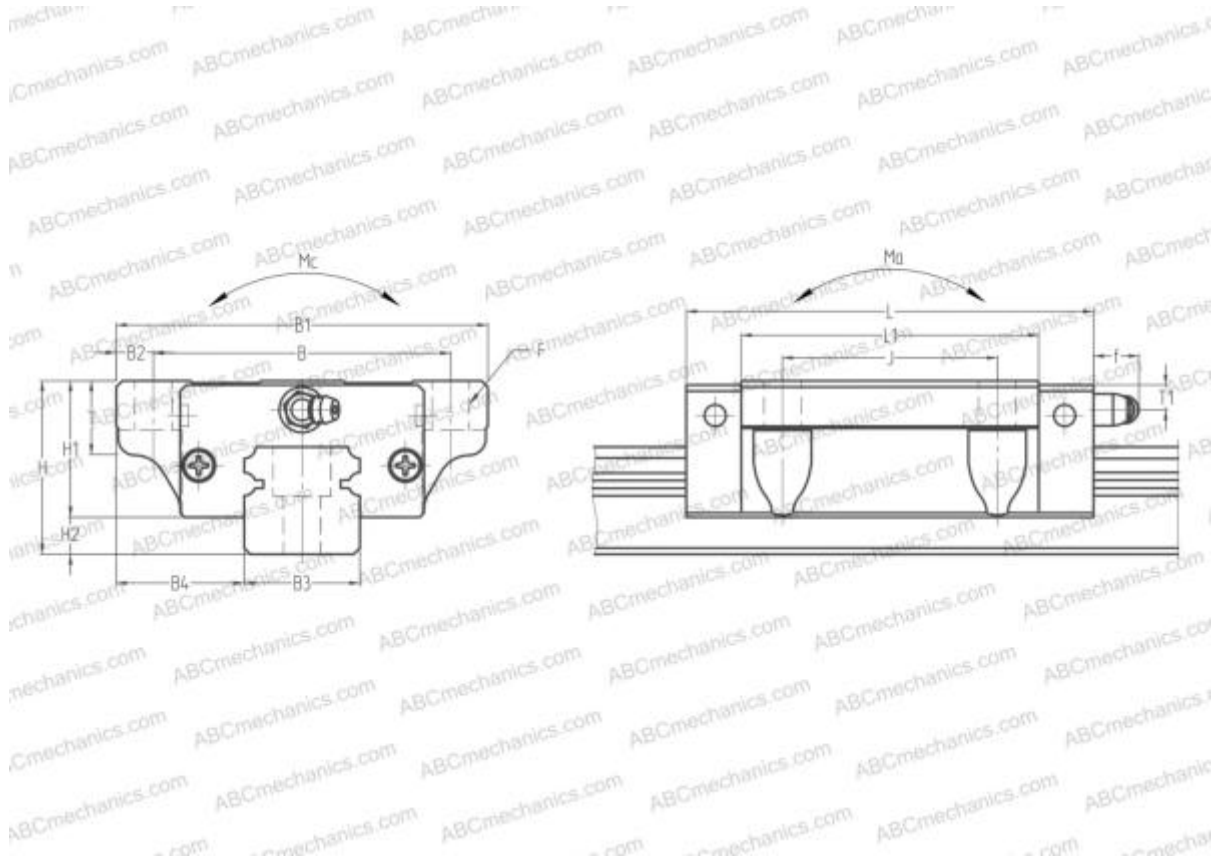


SAH35FL NSK

Linear guides

TYPE: Monorail guidance systems, Recirculating balls, High vertical load carrying capacity type, Self-aligning type, Flanged type, Low, Ball slide length - standard, Mounting bolt hole, Low noise, smooth operation type, Interchangeable part



Technical specification

DIMENSIONS, MM

B1	100,000
H	48,000
L	109,000
B	82,000
J	62,000
L1	80,000
D2	17,000
B2	9,000
B3	34,000
B4	33,000
H1	38,500
H2	9,500
T	12,000
T1	8,000
f	11,000

DIMENSIONS, MM

F	9x13
---	------

SLIDE WEIGHT

1,700

MANUFACTURER

[NSK](#)

CALCULATION DATA

Basic dynamic load rating, C	36,600 kN
Basic static load rating, Co	63,100 kN
Static permissible moment, Ma	0,624 kN-m
Static permissible moment, Mb	0,614 kN-m
Static permissible moment, Mc	0,868 kN-m