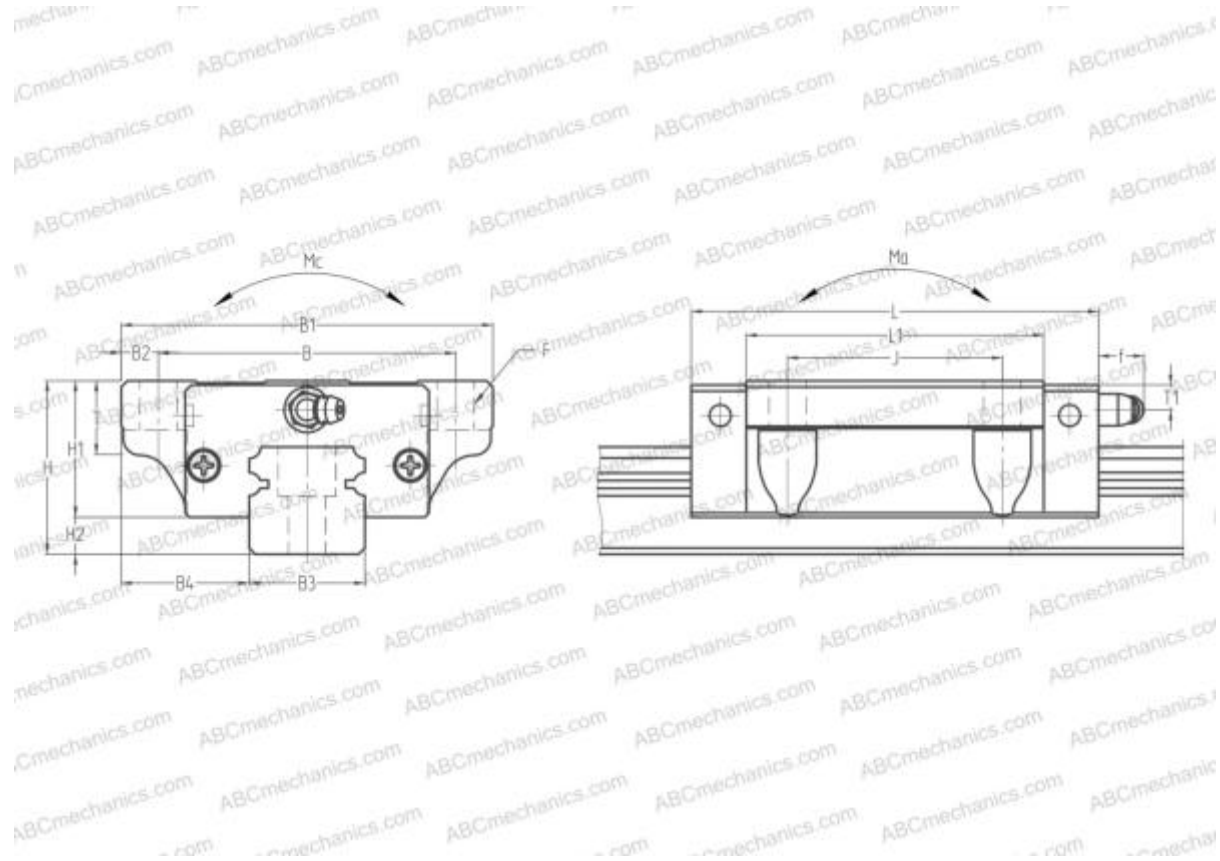


## SAH25HL NSK

Linear guides

TYPE: Monorail guidance systems, Recirculating balls, High vertical load carrying capacity type, Self-aligning type, Flanged type, Low, Ball slide length - long, Mounting bolt hole, Low noise, smooth operation type, Interchangeable part



### Technical specification

#### DIMENSIONS, MM

B1	70,000
H	36,000
L	107,000
B	57,000
J	45,000
L1	86,000
D2	11,500
B2	6,500
B3	23,000
B4	23,500
H1	29,000
H2	7,000
T	11,000
T1	6,000
f	11,000

#### DIMENSIONS, MM

F	7x10
---	------

<b>SLIDE WEIGHT</b>	0,930
---------------------	-------

<b>MANUFACTURER</b>	<a href="#">NSK</a>
---------------------	---------------------

#### CALCULATION DATA

Basic dynamic load rating, C	25,800 kN
Basic static load rating, Co	49,100 kN
Static permissible moment, Ma	0,519 kN-m
Static permissible moment, Mb	0,510 kN-m
Static permissible moment, Mc	0,451 kN-m