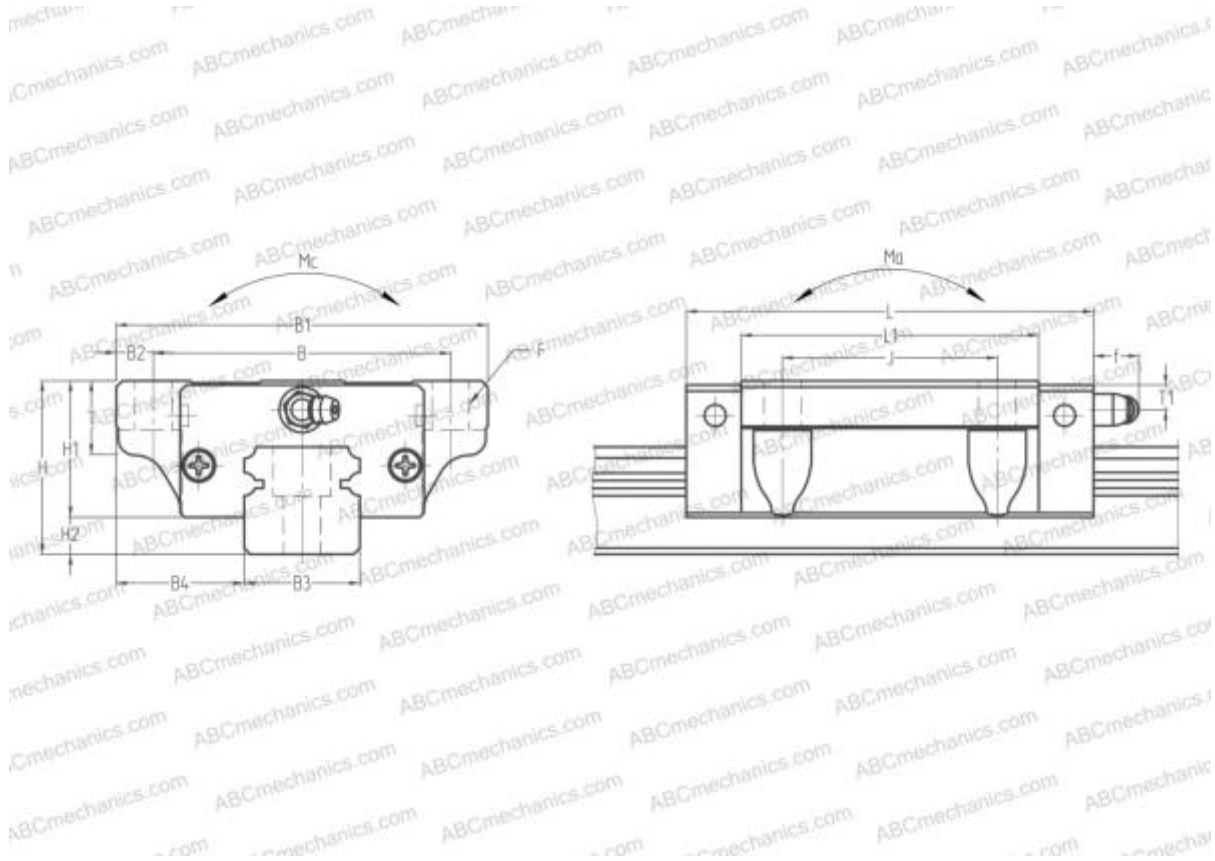


SAH30HL NSK

Linear guides

TYPE: Monorail guidance systems, Recirculating balls, High vertical load carrying capacity type, Self-aligning type, Flanged type, Low, Ball slide length - long, Mounting bolt hole, Low noise, smooth operation type, Interchangeable part



Technical specification

DIMENSIONS, MM

B1	90,000
H	42,000
L	124,600
B	72,000
J	52,000
L1	98,000
D2	14,000
B2	9,000
B3	28,000
B4	31,000
H1	33,000
H2	9,000
T	11,000
T1	7,000
f	11,000

DIMENSIONS, MM

F	9x12
---	------

SLIDE WEIGHT	1,600
---------------------	-------

MANUFACTURER	NSK
---------------------	---------------------

CALCULATION DATA

Basic dynamic load rating, C	35,800 kN
Basic static load rating, Co	67,200 kN
Static permissible moment, Ma	0,794 kN-m
Static permissible moment, Mb	0,784 kN-m
Static permissible moment, Mc	0,745 kN-m