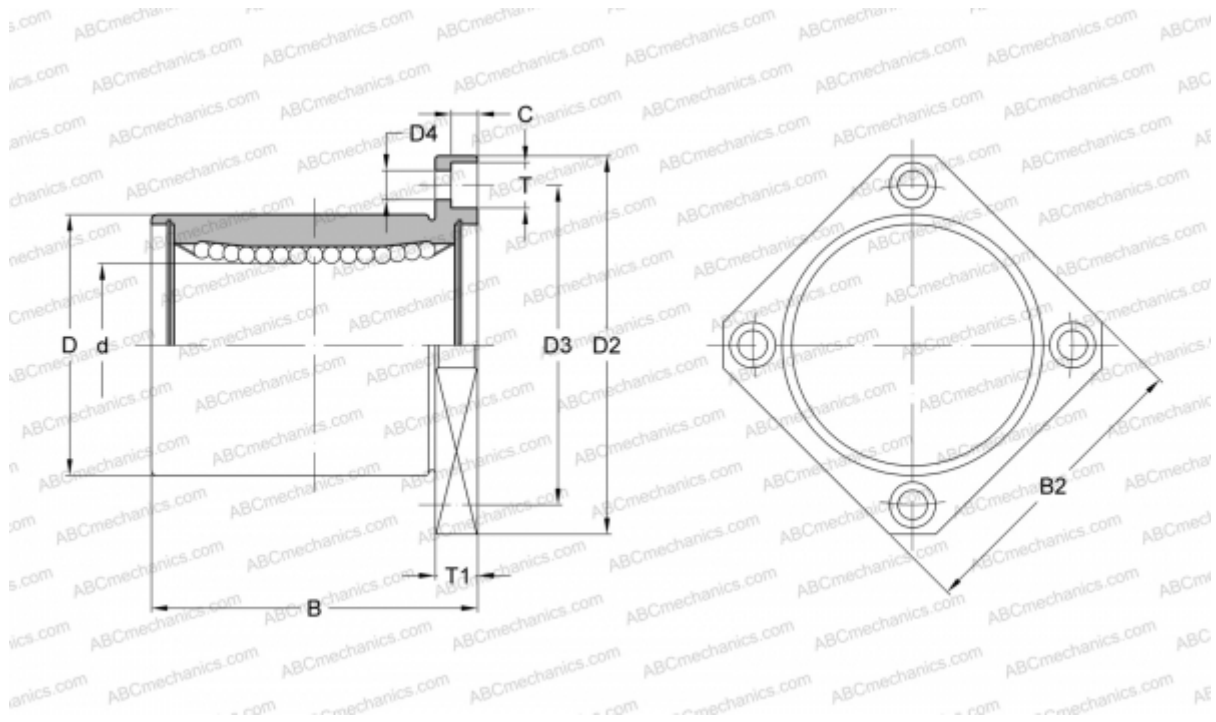


## SMK 8s NB

Linear bushing

TYPE: Shaft guidance systems, Linear bushing, With flange, Square type, Type SMK, Asian standard, Steel cage (NB)



### Technical specification

#### DIMENSIONS, MM

d	8,000
D	15,000
B	17,000
D2	32,000
D3	24,000
D4	3,500
B2	25,000
T	6,000
T1	5,000
C	3,100

**WEIGHT, KG** 0,024

**MANUFACTURER** [NB](#)